

WORKWARE CONNECT®

Processor

Installation Instructions

HAWORTH®

workware connect processor

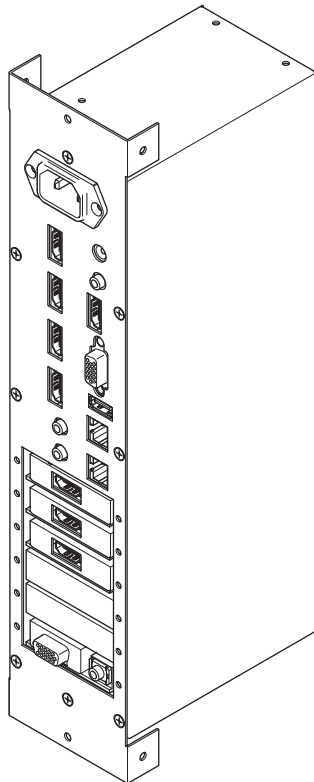
Product Registration and
Warranty Support Activation

ACTIVATE IMMEDIATELY

Visit Haworth.com/workware

Product Support Hotline:

855-815-5111



CUSTOMER SERVICE PHONE: 1-855-815-5111

HAWORTH®

E.C.O. No: 298-742

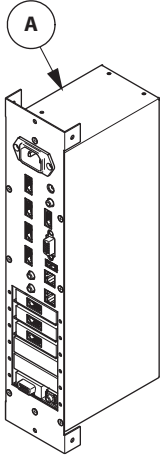
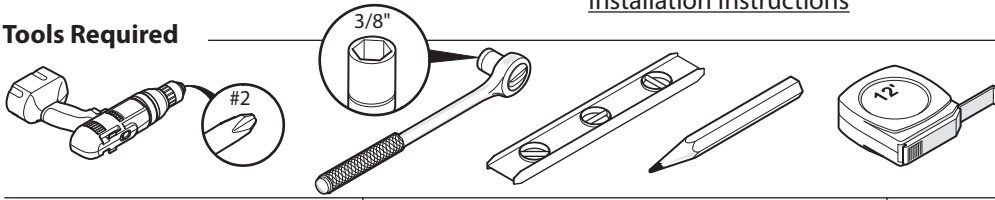
Page: 1 of 5

Part No: 7029-9816

Rev: 1

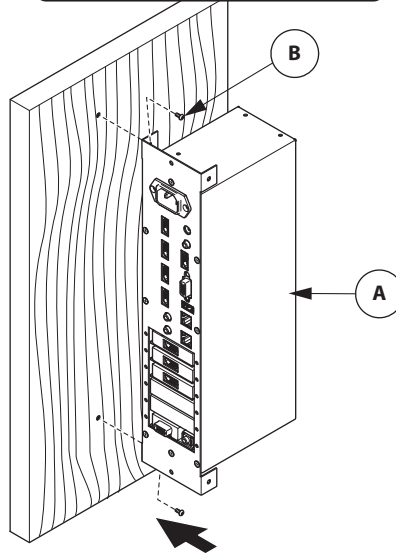
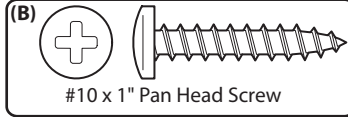
WORKWARE CONNECT®
Processor
 Installation Instructions

Tools Required

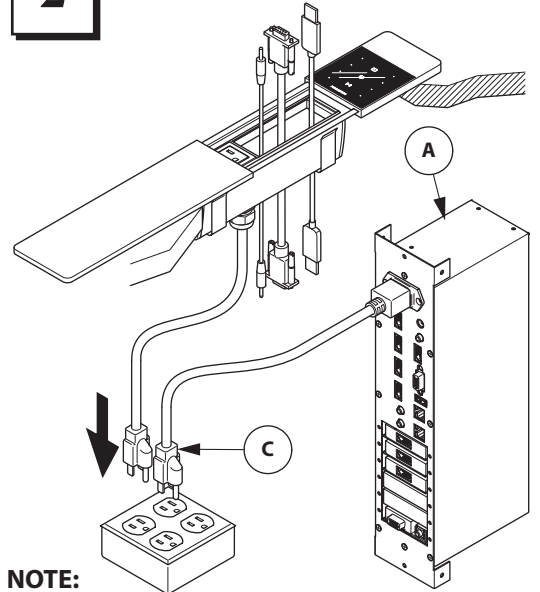


NOTE:
 Processor electrical rating:
 100-240 VAC 50/60 Hz 1 Amp.

1 Mount processor (A)

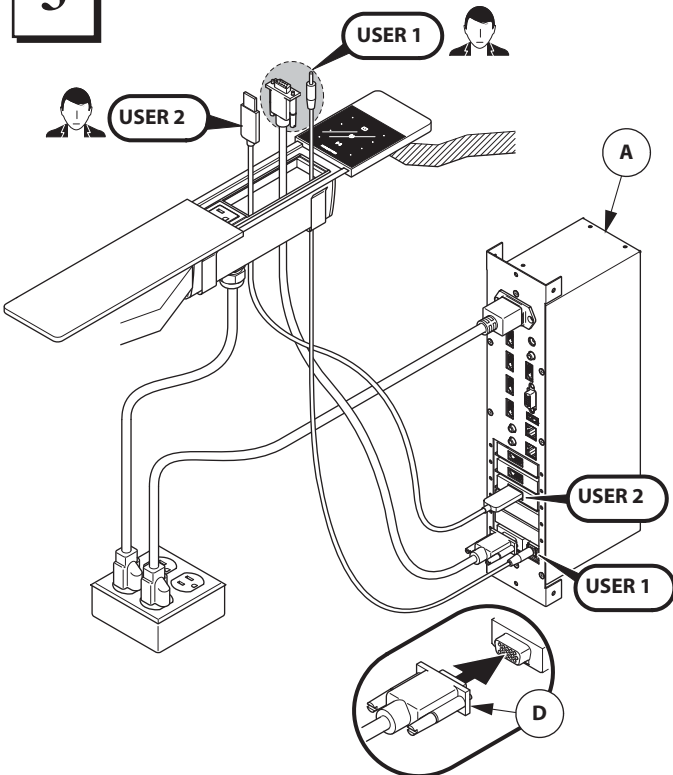


2 Connect power (C)

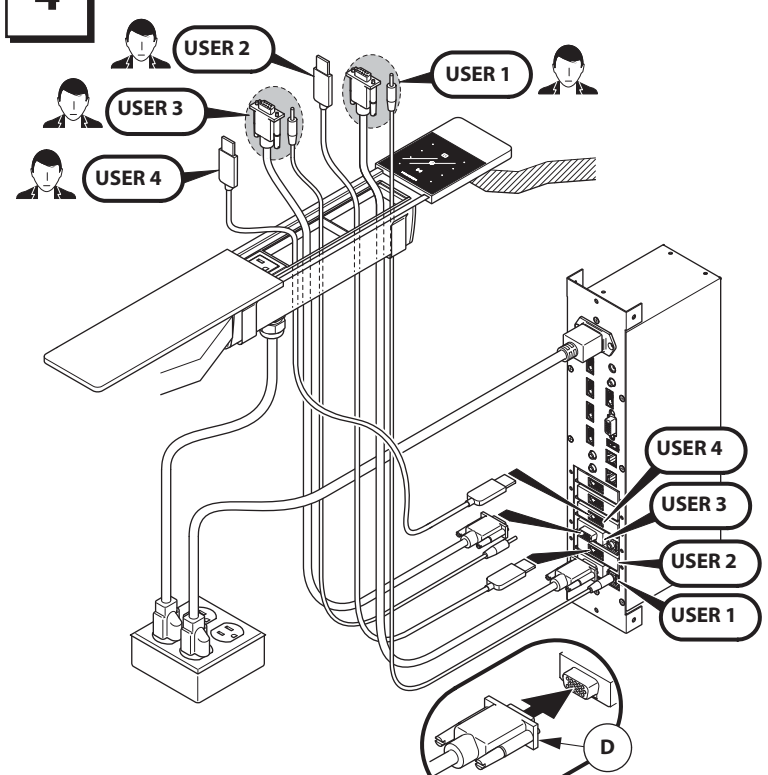


NOTE:
 To disconnect power
 detach power cord (C).

3 Connect video cables (D)



4 Connect video cables (D)



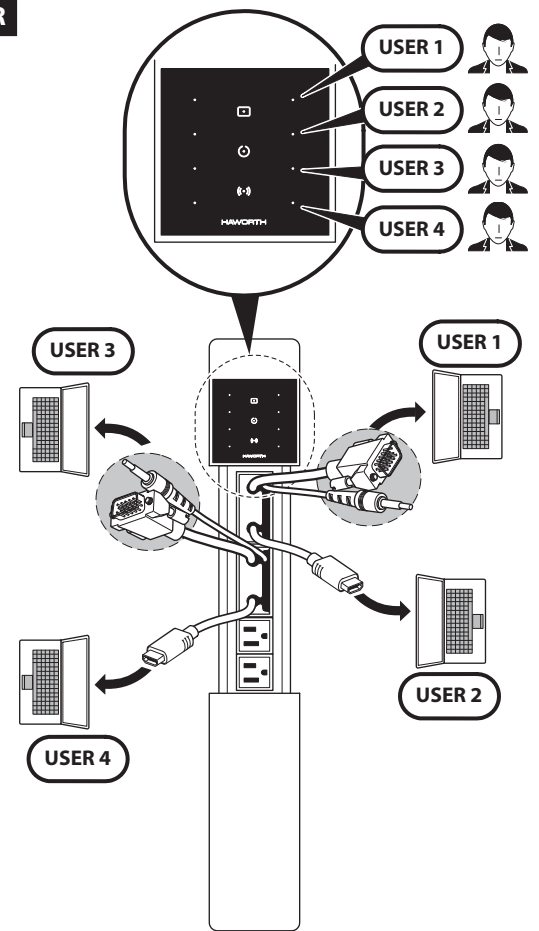
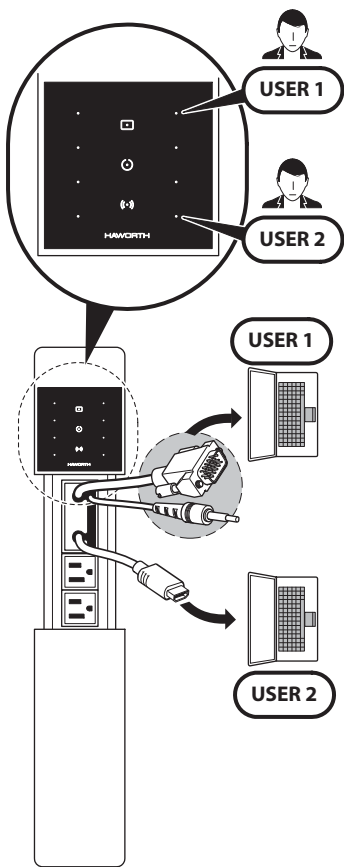
CUSTOMER SERVICE PHONE: 1-855-815-5111

TOUCH PAD OPTIONS:

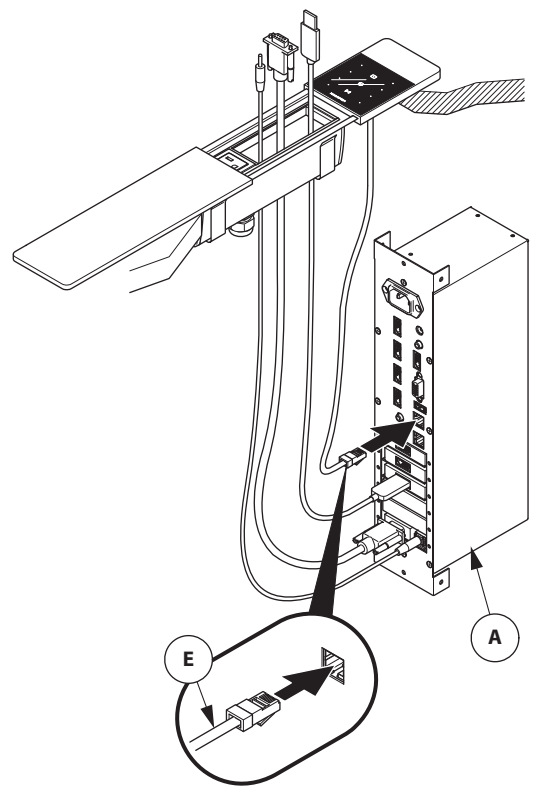
2 USERS

OR

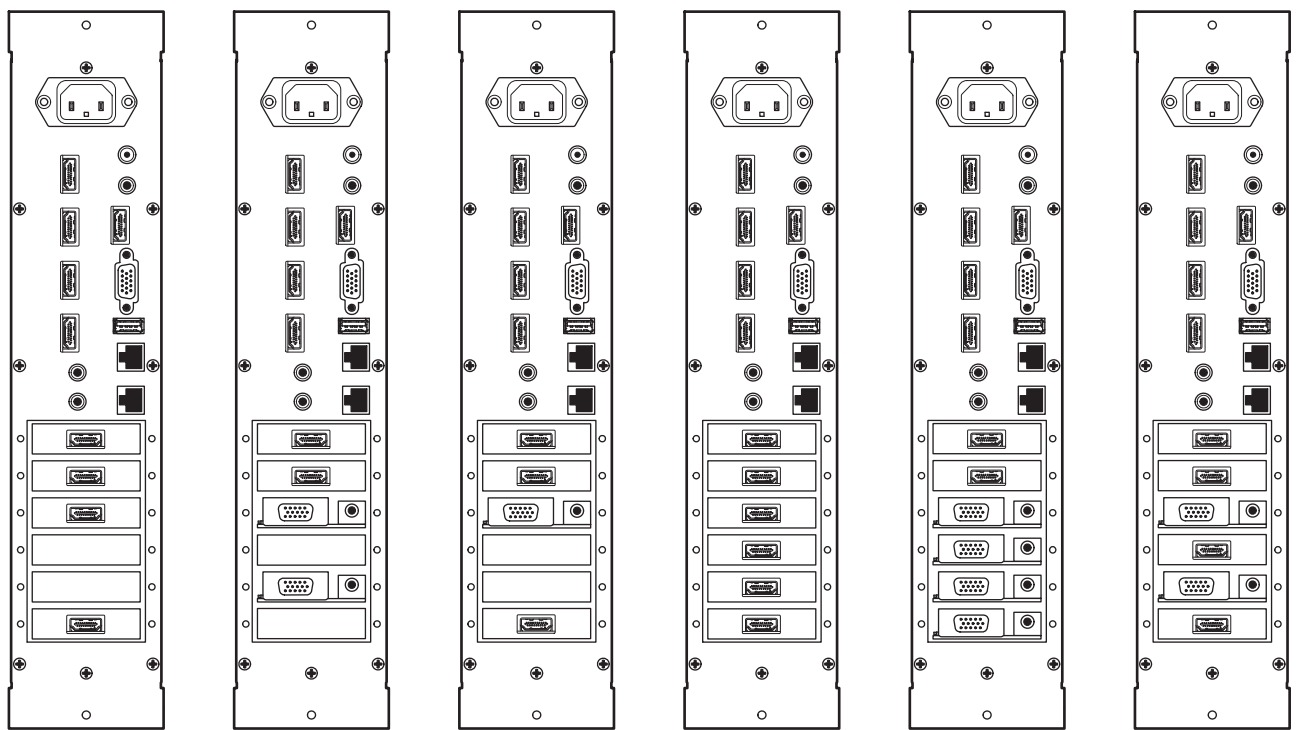
4 USERS



5 Connect touch pad cable (E)



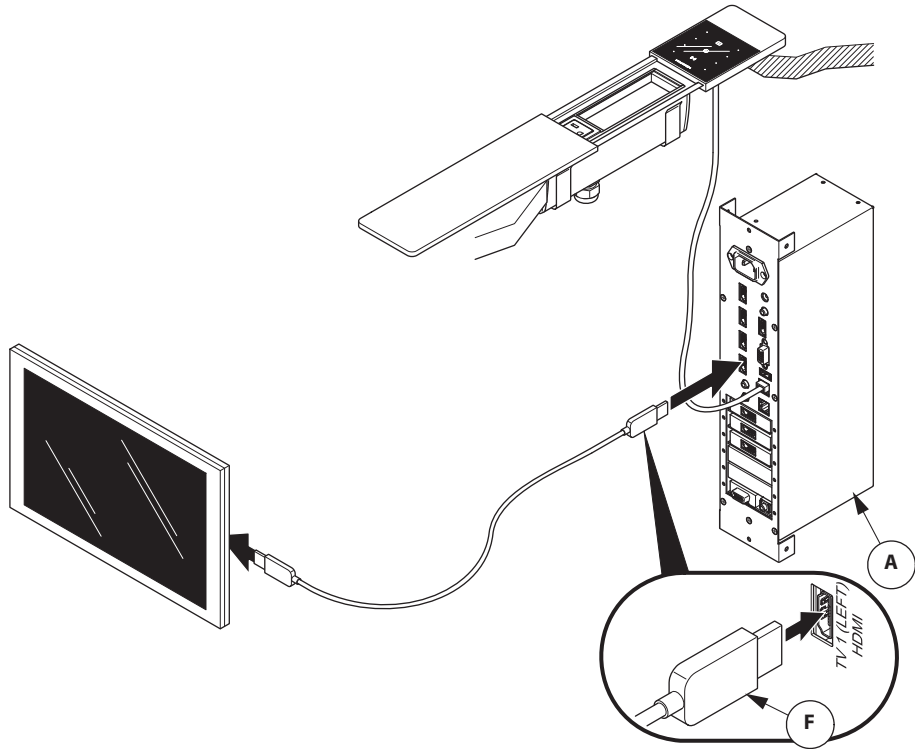
OPTIONAL PROCESSOR SETUPS:



CUSTOMER SERVICE PHONE: 1-855-815-5111

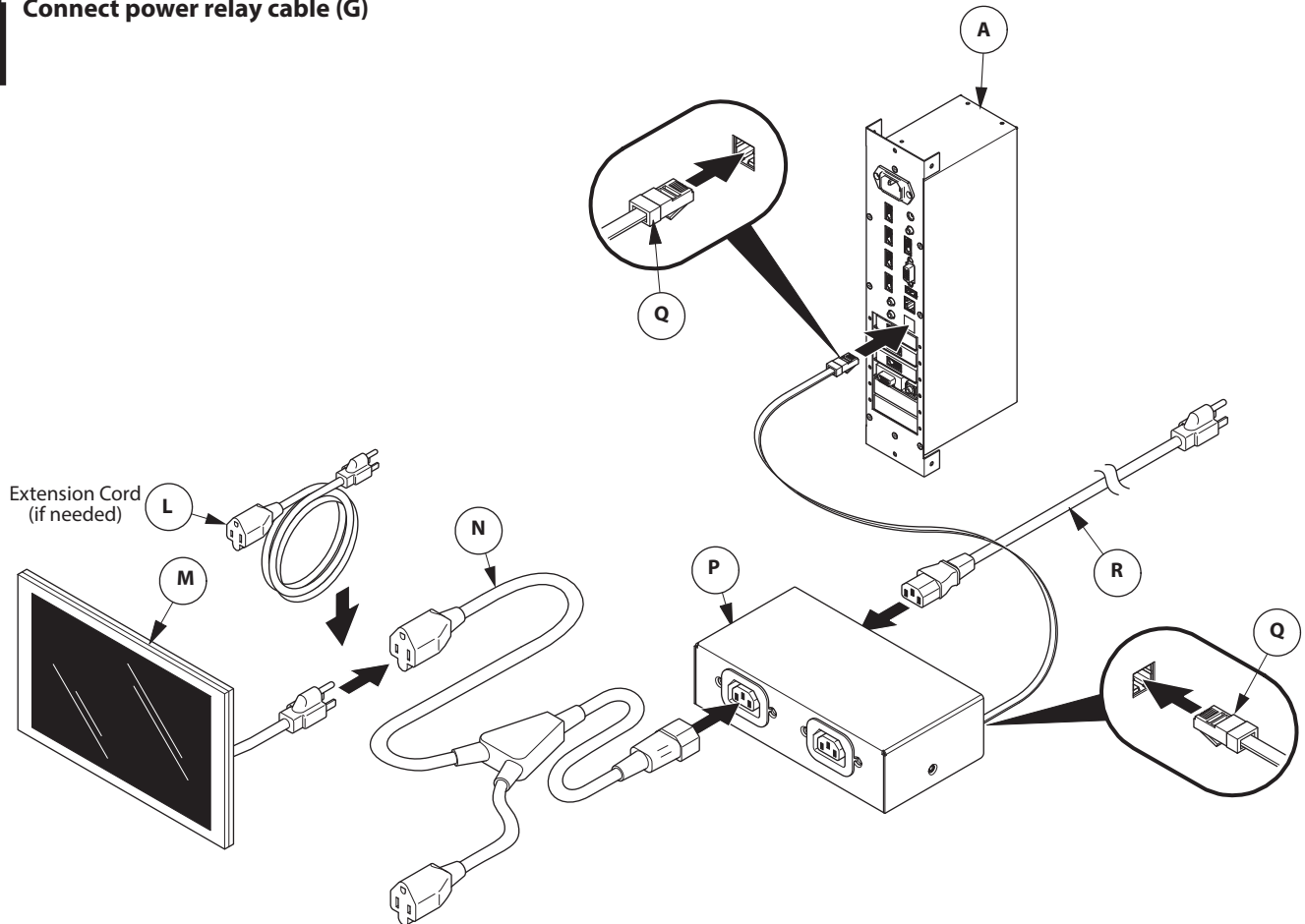
6

Connect video output cable (F)



7

Connect power relay cable (G)



CUSTOMER SERVICE PHONE: 1-855-815-5111

HAWORTH[®]

E.C.O. No: 298-742

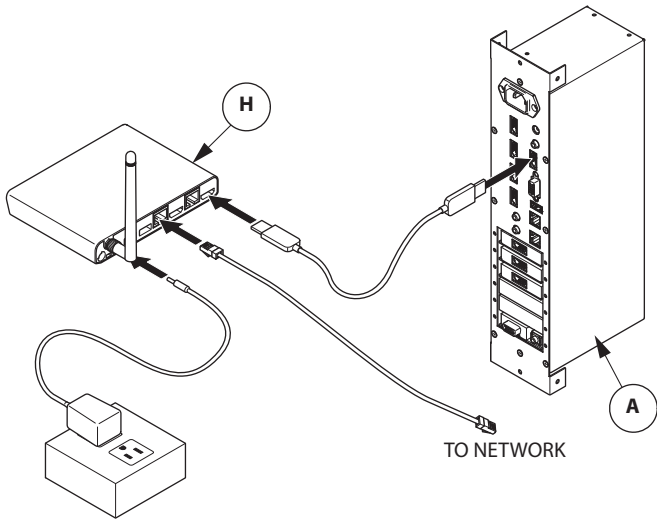
Page: 4 of 5

Part No: 7029-9816

Rev: 1

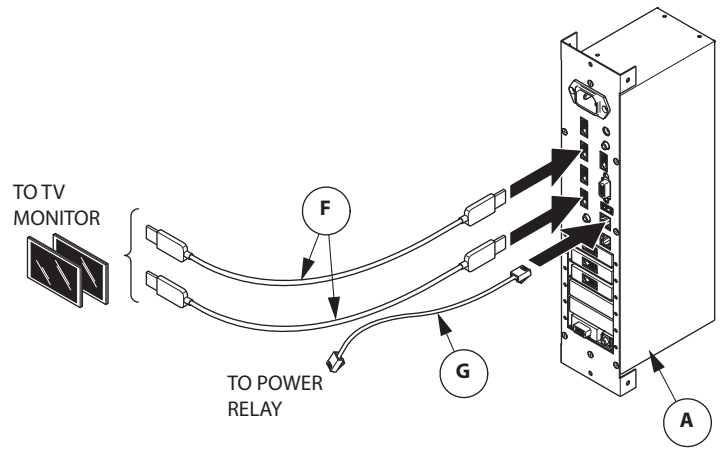
OPTIONAL FEATURES:

1 Connect wireless video (H)



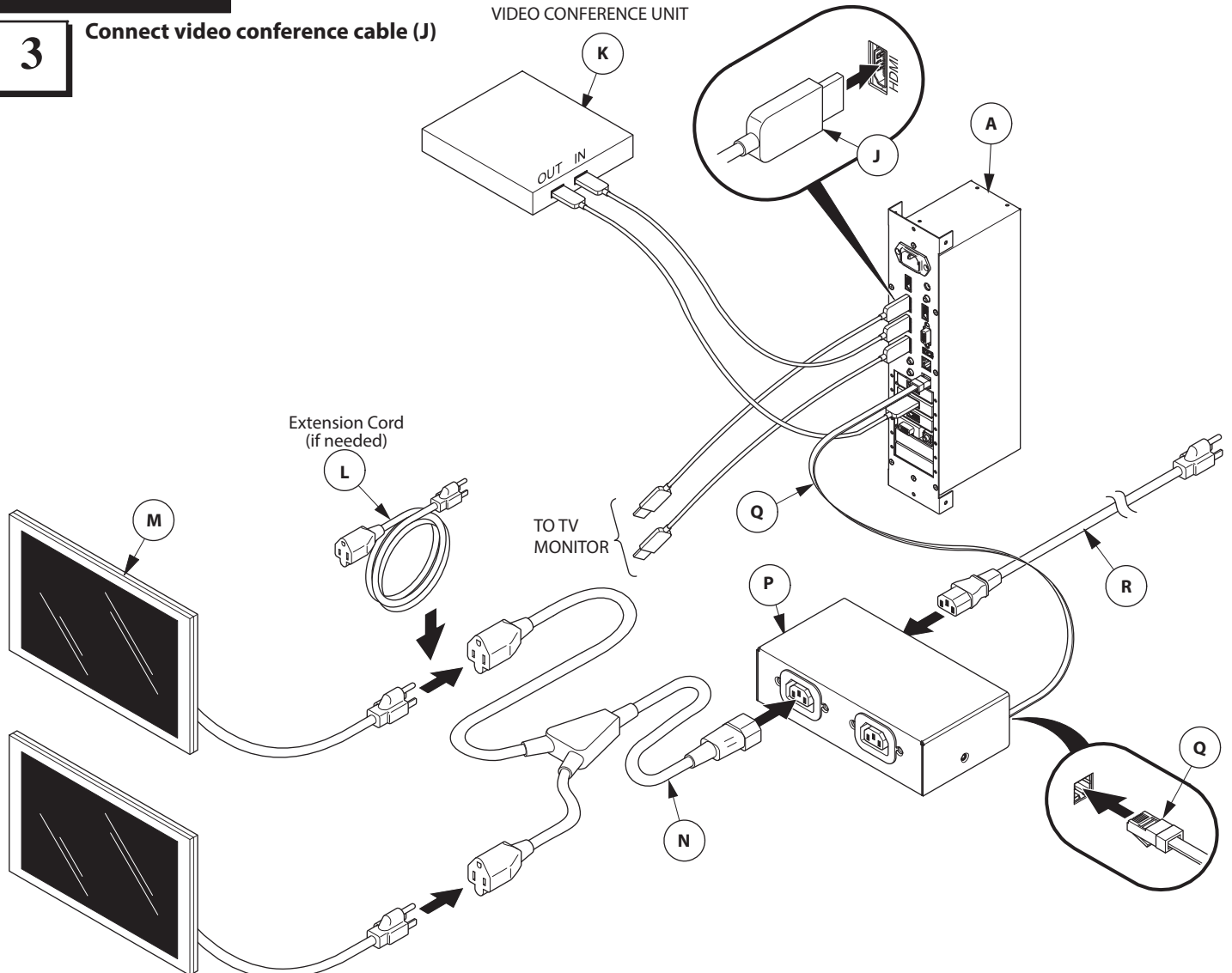
OPTIONAL FEATURES:

2 Connect dual tv monitors



OPTIONAL FEATURES:

3 Connect video conference cable (J)



CUSTOMER SERVICE PHONE: 1-855-815-5111