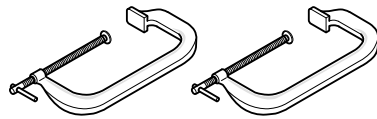
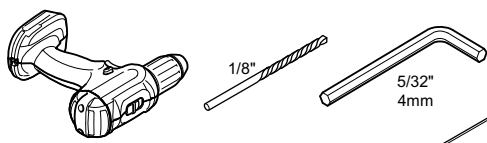


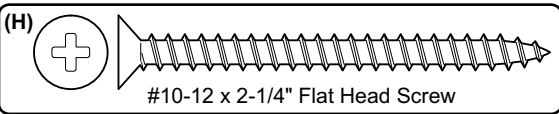
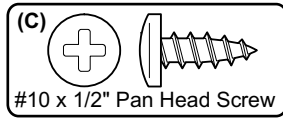
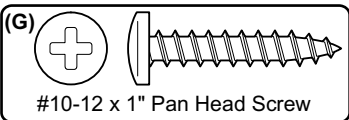
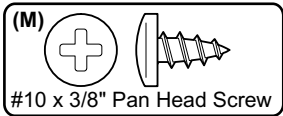
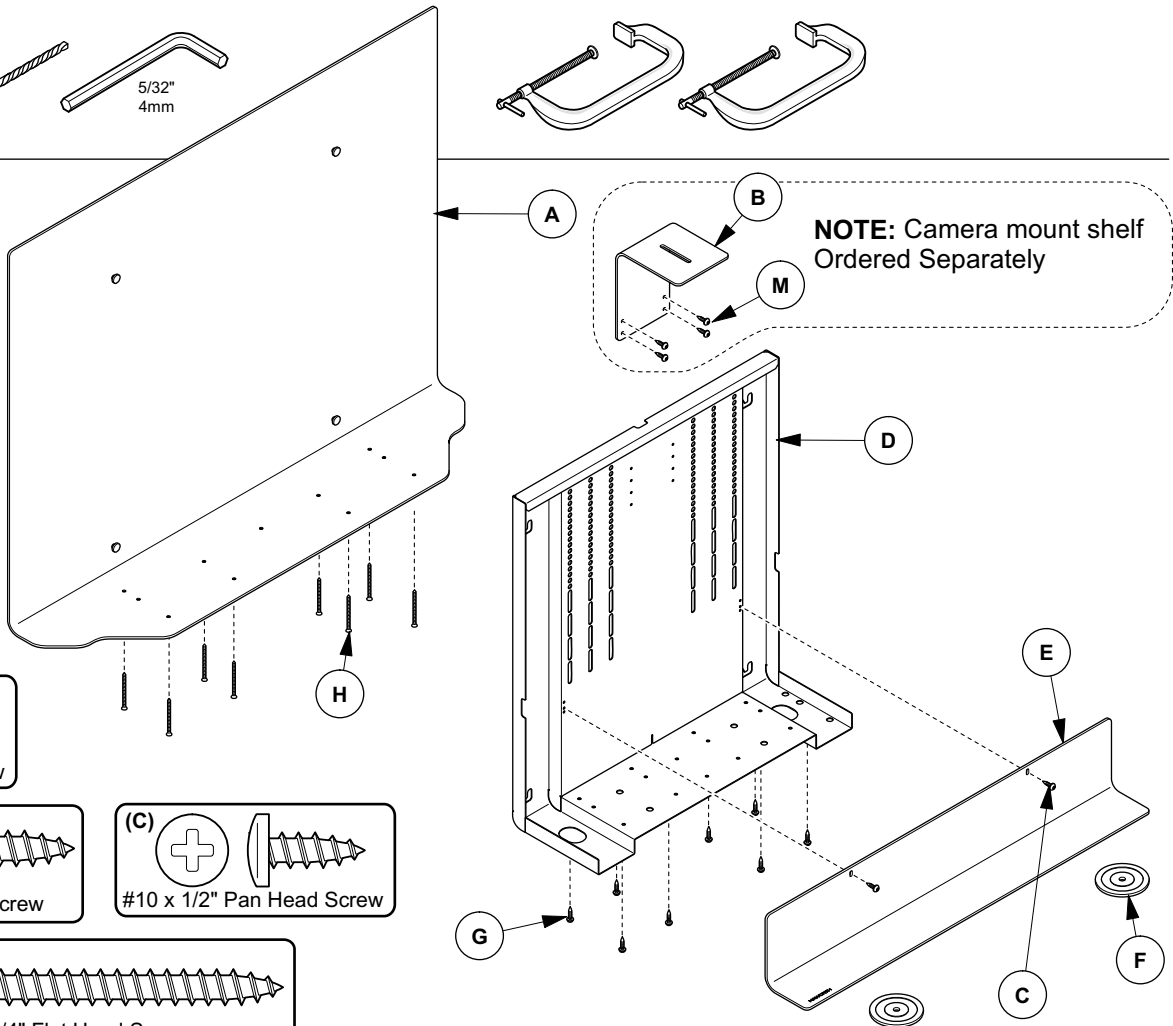
workware view®
Table Mount
 Installation Instructions

Tools Required

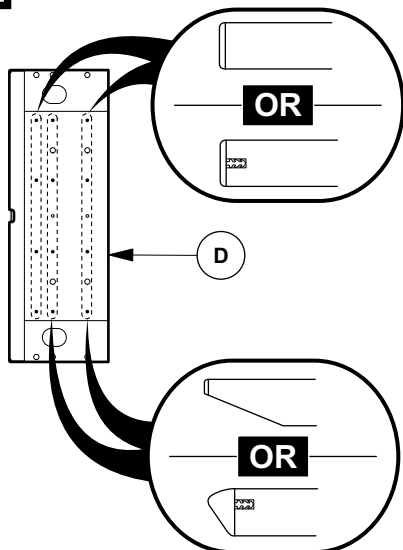


NOTE: Shroud (A) is optional.

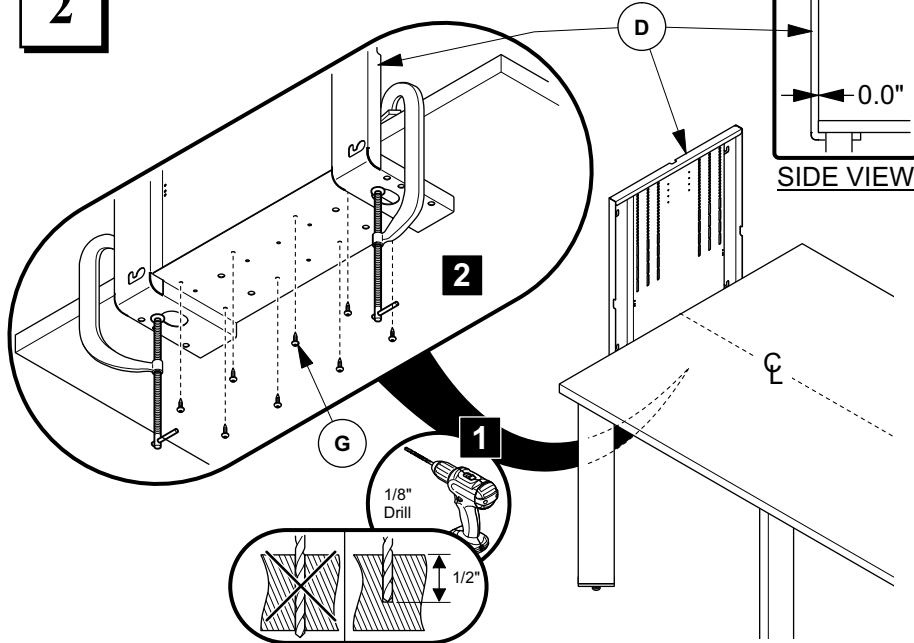
NOTE: Camera mount shelf Ordered Separately



1 **NOTE:** Match screw holes to edge profile of worksurface.



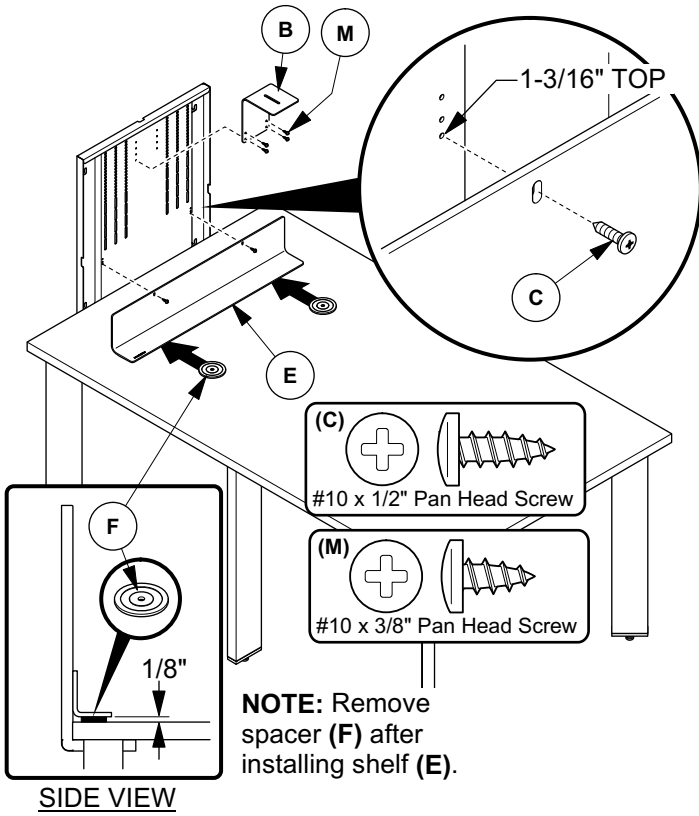
2 Install monitor mounting bracket (D)



CUSTOMER SERVICE PHONE: 1-800-426-8562

3

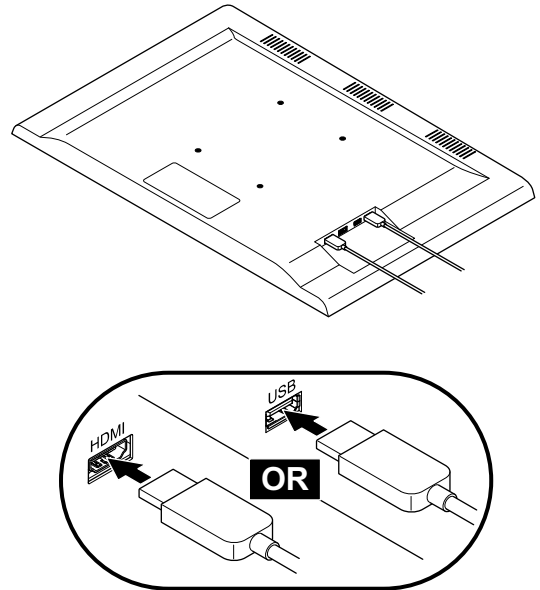
NOTE: Camera mount shelf (B) is Ordered Separately.



FOR TV MOUNTING HARDWARE

4

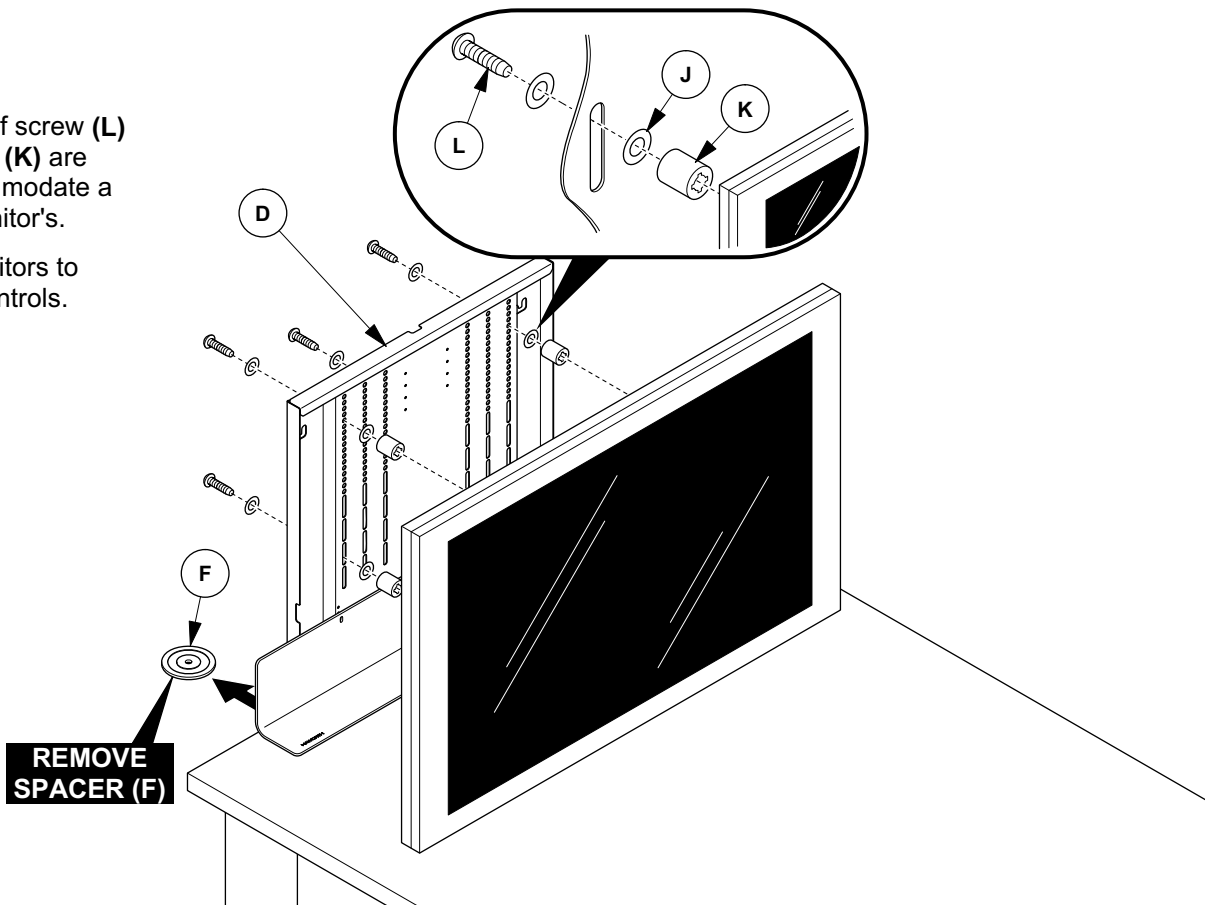
NOTE: Install cables before proceeding to step 5.



5

NOTE: A variety of screw (L) sizes and spacers (K) are provided to accommodate a wide range of monitor's.

NOTE: Install monitors to allow access to controls.

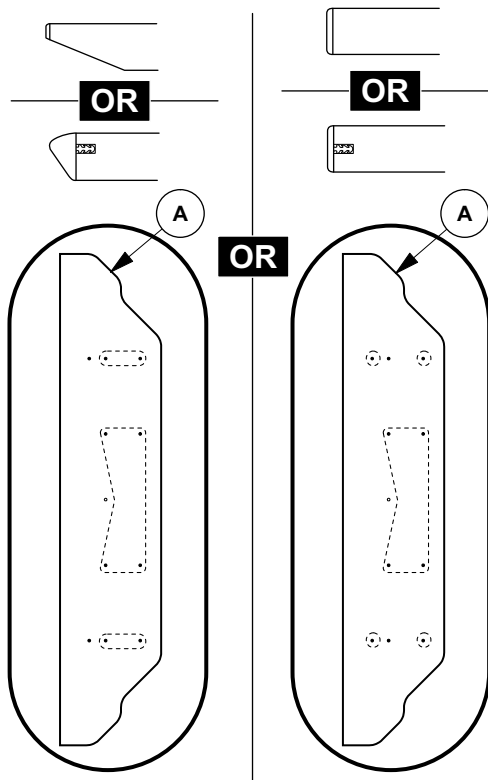


CUSTOMER SERVICE PHONE: 1-800-426-8562

SHROUD IS OPTIONAL

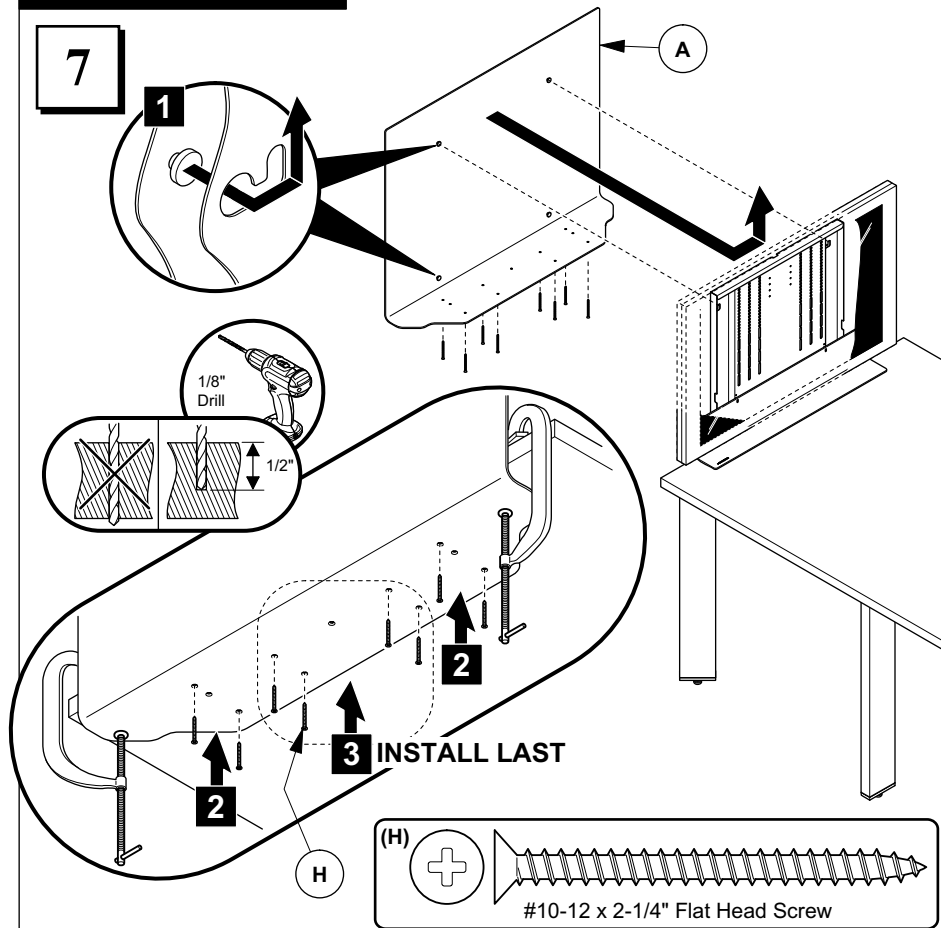
6

NOTE: Match screw holes to edge profile of worksurface.



SHROUD IS OPTIONAL

7



GUIDELINES FOR TABLE MOUNTING

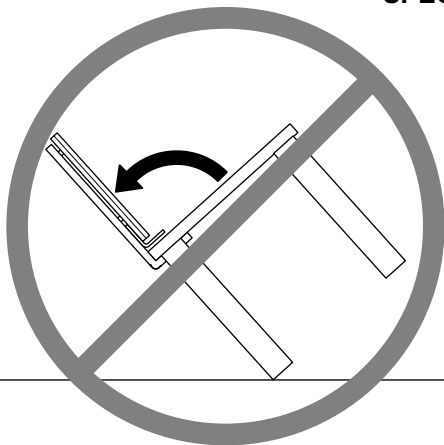
NOTE: All Square Tables smaller than 60" x 60" with workware view attached must include a separately specified 14" x 14" Cable Base for stability and wire management; or the table must be flat bracketed to another table.

NOTE: Maximum load 70 lbs.

NOTE: For additional information refer to the "Specification Guide".



CAUTION: ONLY INSTALL ON HAWORTH APPROVED TABLES LISTED IN WORKWARE SPECIFICATION GUIDE!



MINIMUM TABLE SIZE	MONITOR
<p>48"</p> <p>48"</p>	<p>40" - 42"</p>
<p>54"</p> <p>54"</p>	<p>46" - 47"</p>
<p>60"</p> <p>60"</p>	<p>52" - 55"</p>

CUSTOMER SERVICE PHONE: 1-800-426-8562

HAWORTH

E.C.O. No: 245-466

Page: 3 of 3

Part No: 7029-9811

Rev: B