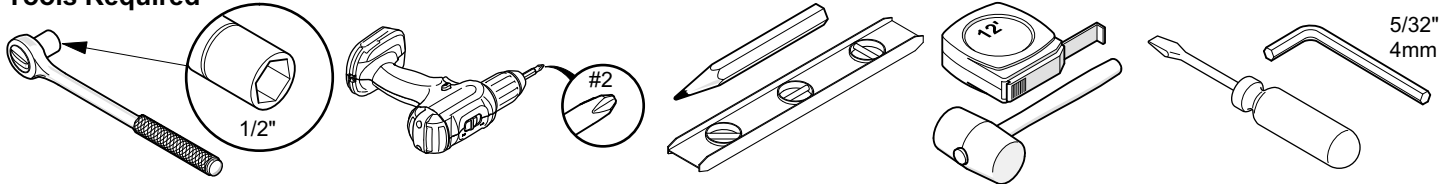
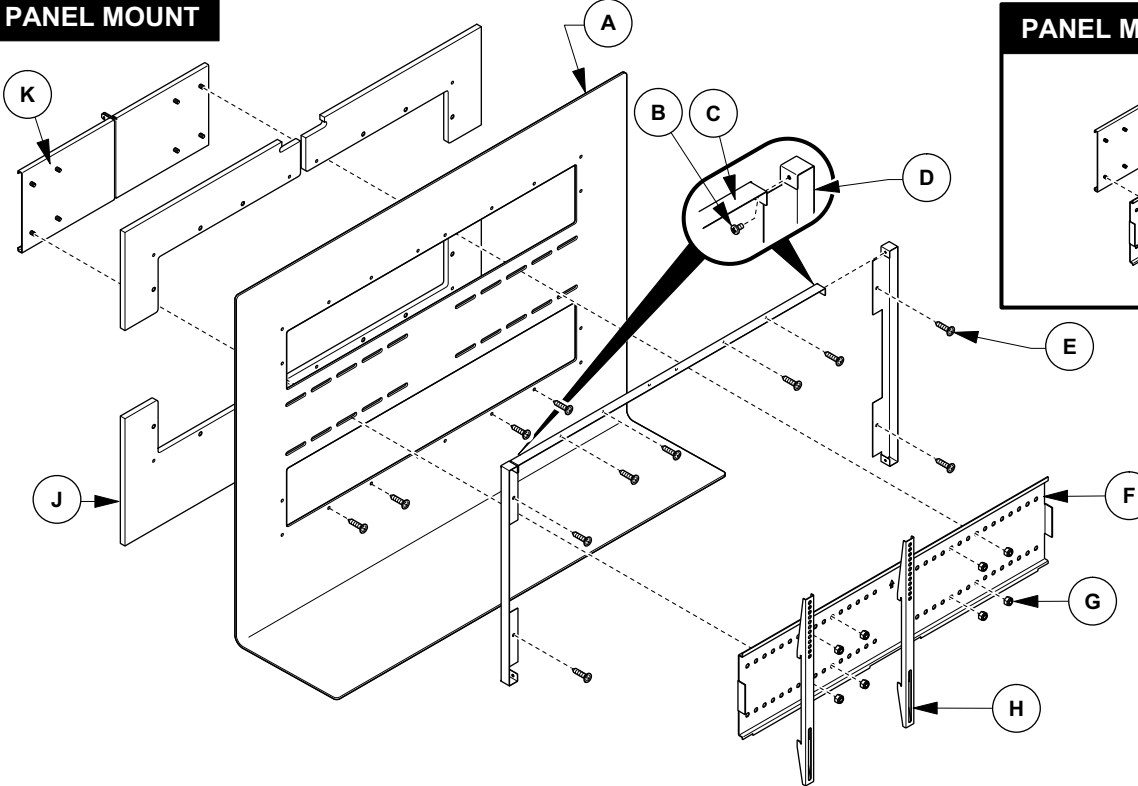


**workware view®**  
**TV Mounted to Enclose Wall & Fixed Wall**  
**Installation Instructions**

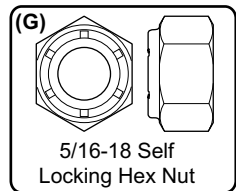
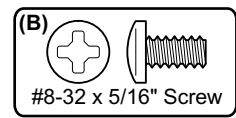
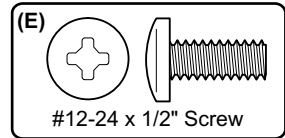
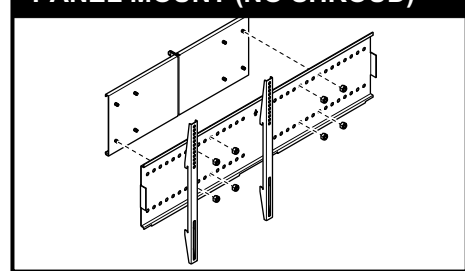
**Tools Required**



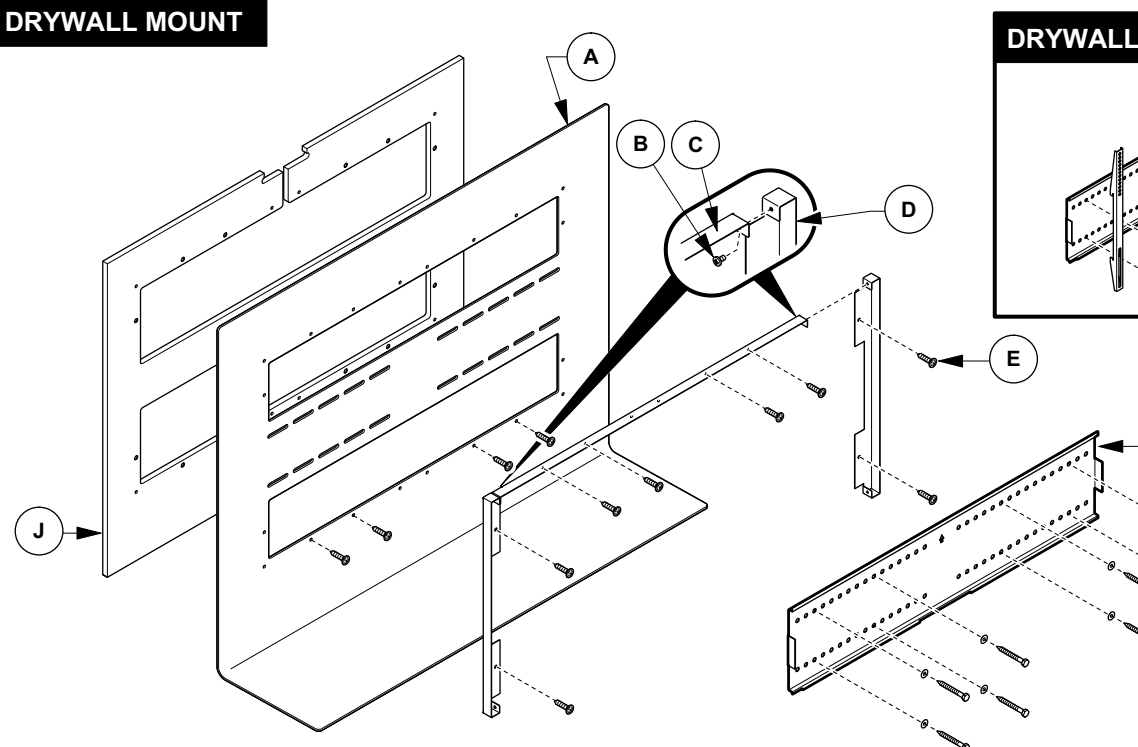
**PANEL MOUNT**



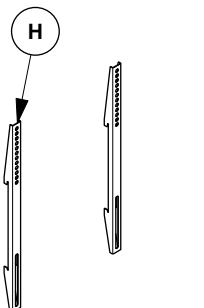
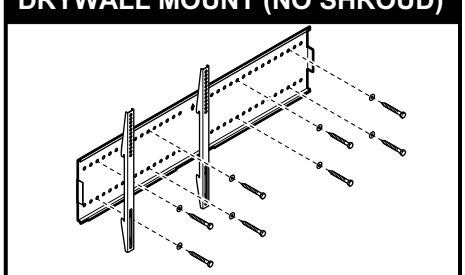
**PANEL MOUNT (NO SHROUD)**



**DRYWALL MOUNT**

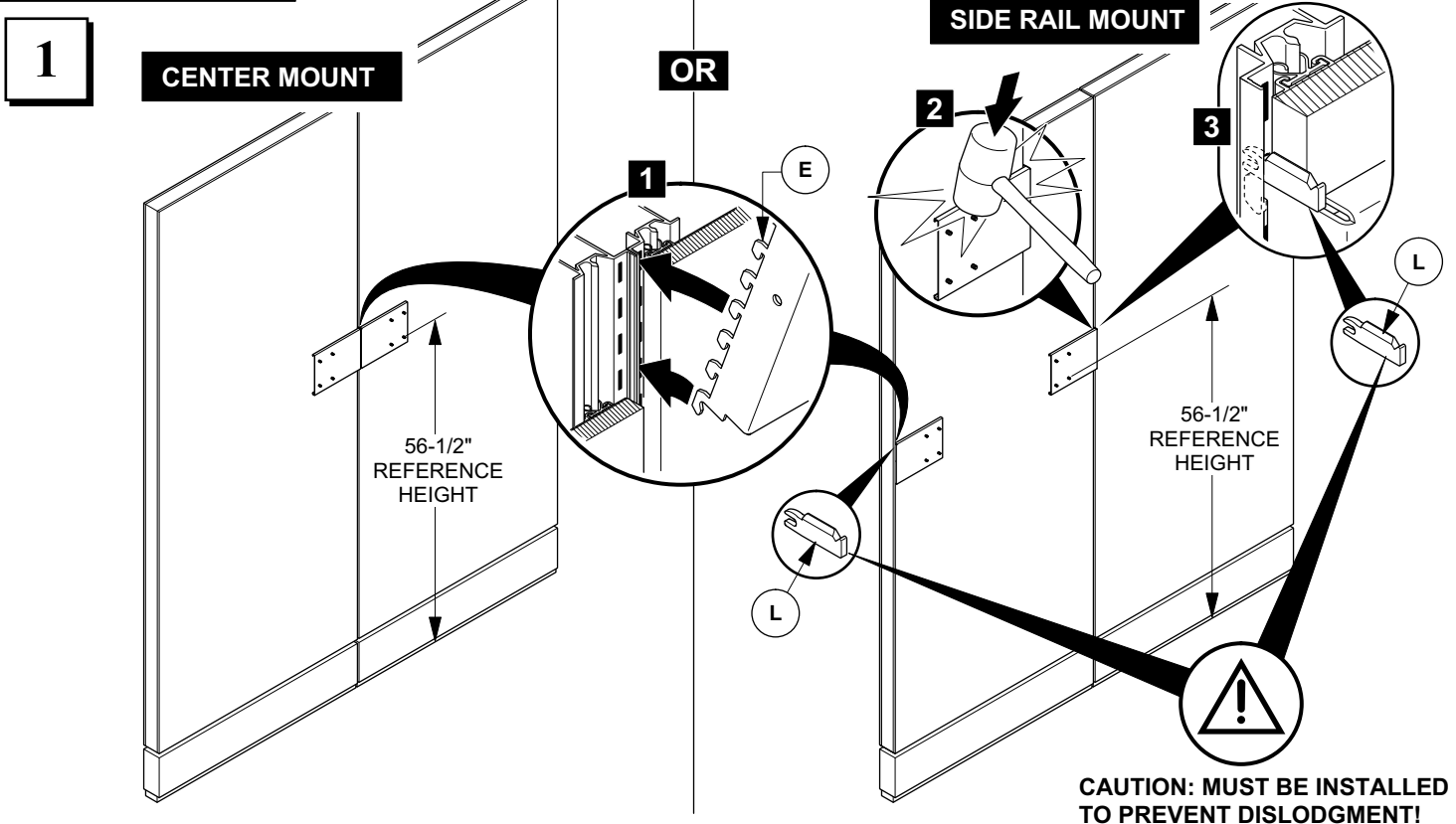


**DRYWALL MOUNT (NO SHROUD)**



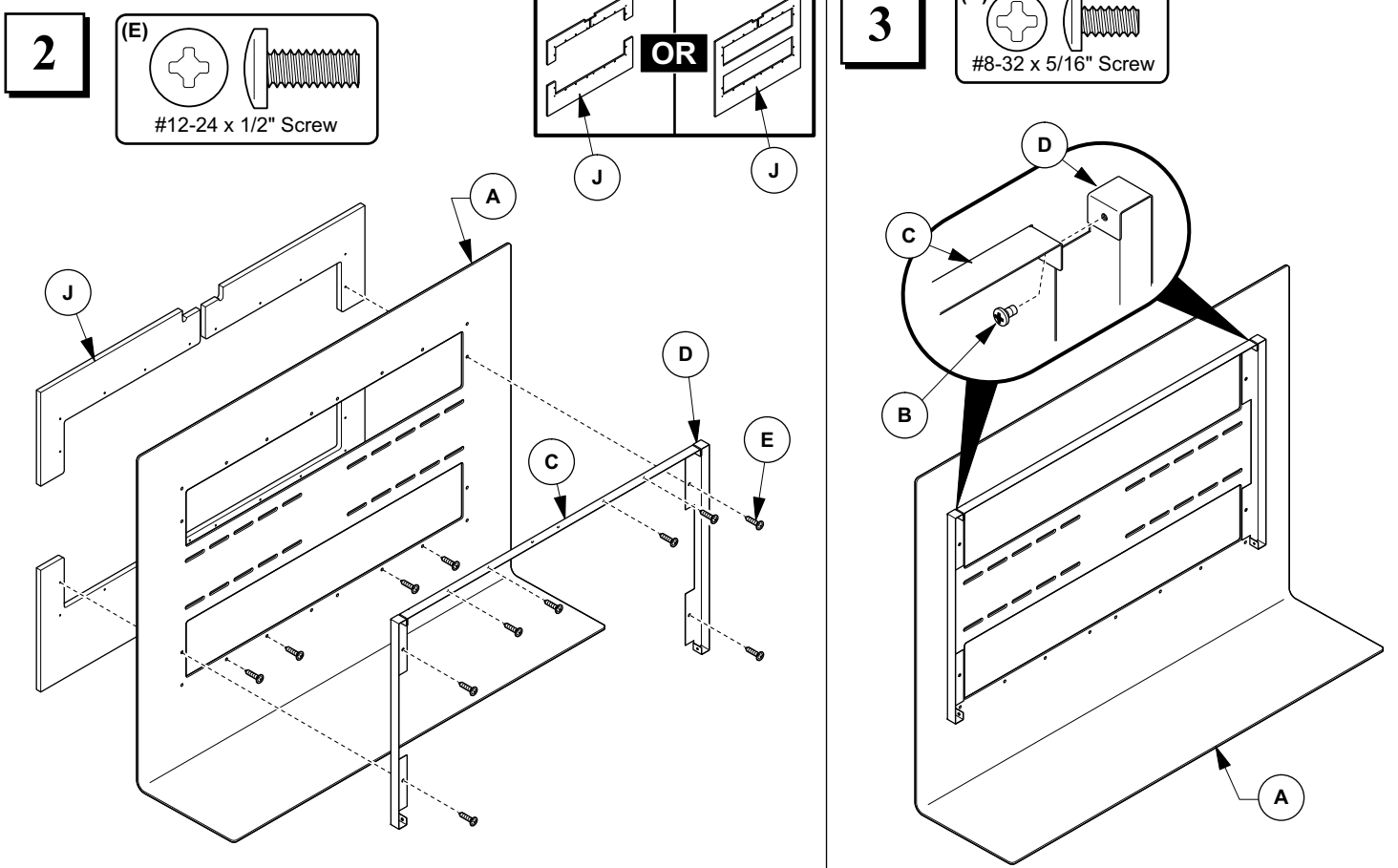
CUSTOMER SERVICE PHONE: 1-800-426-8562

**FOR PANEL MOUNT**



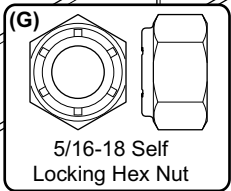
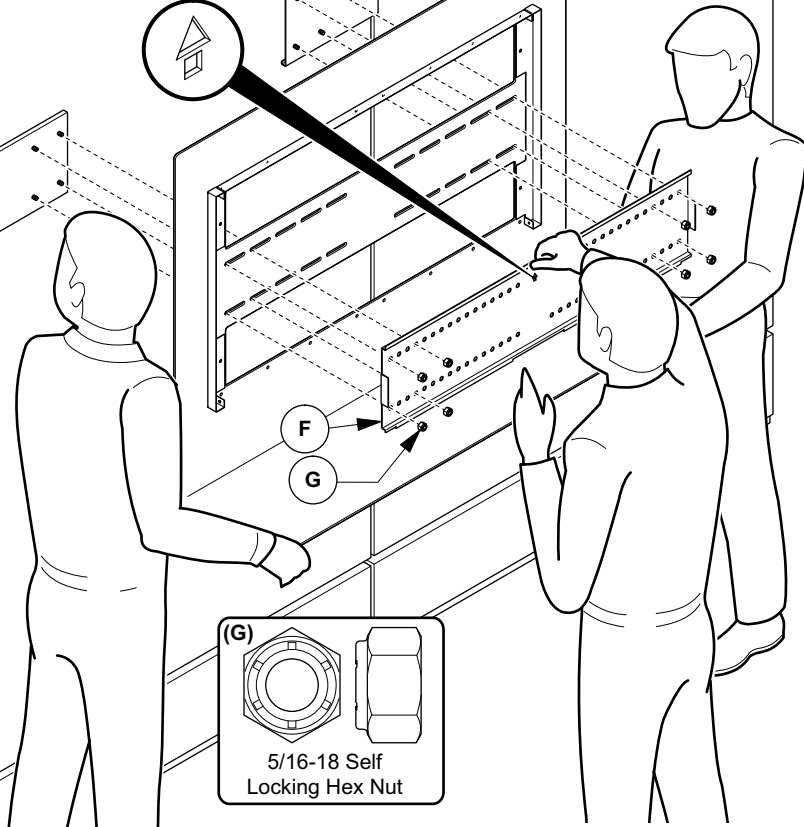
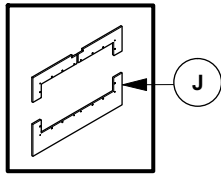
**CAUTION: MUST BE INSTALLED TO PREVENT DISLODMENT!**

**FOR SHROUD ASSEMBLY OPTION**



CUSTOMER SERVICE PHONE: 1-800-426-8562

4a

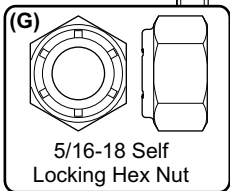


5/16-18 Self Locking Hex Nut

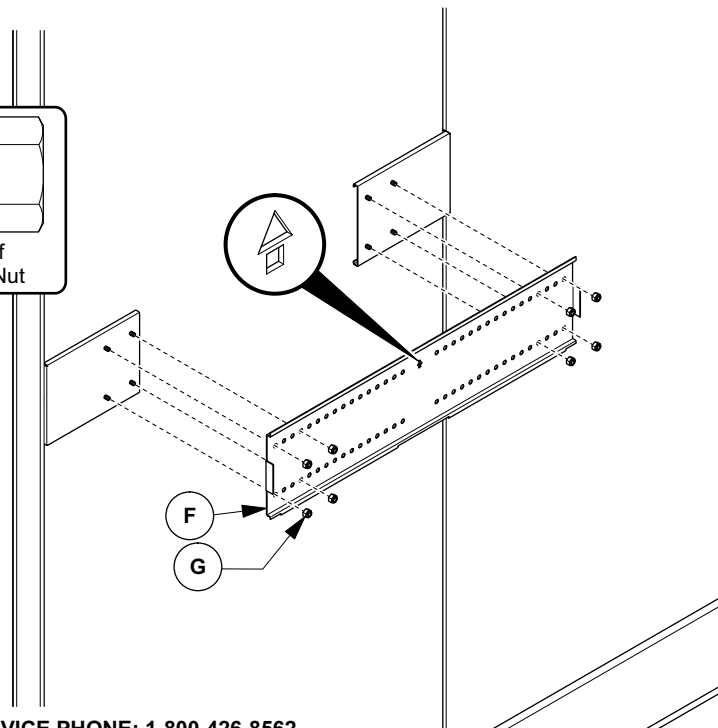
OR

FOR NON-SHROUD OPTION

4b



5/16-18 Self Locking Hex Nut

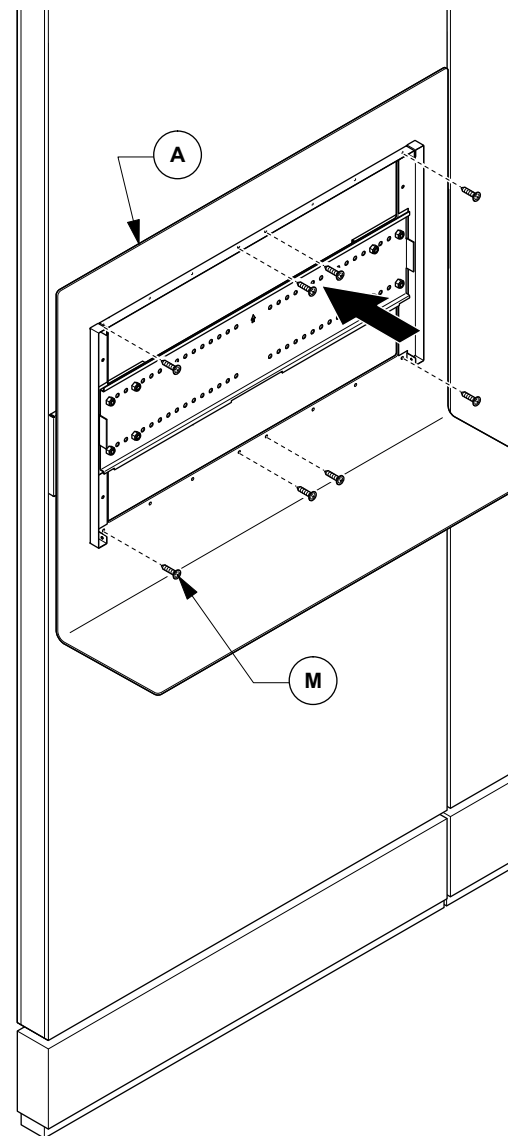


FOR SHROUD OPTION ONLY

5

**REQUIRED:** For added stability, when mounting on an enclose wall use the following fasteners (M) as shown.

- **VENEER PANEL**  
Use wood screws (#10 x 2")
- **DRYWALL PANEL**  
Use dry wall screws (#10 x 2")
- **METAL PANEL**  
Use sheet metal screws (#10 x 2")



CUSTOMER SERVICE PHONE: 1-800-426-8562

**HAWORTH**

E.C.O. No: 409-732

Page: 3 of 6

Part No: 7029-9812

Rev: A

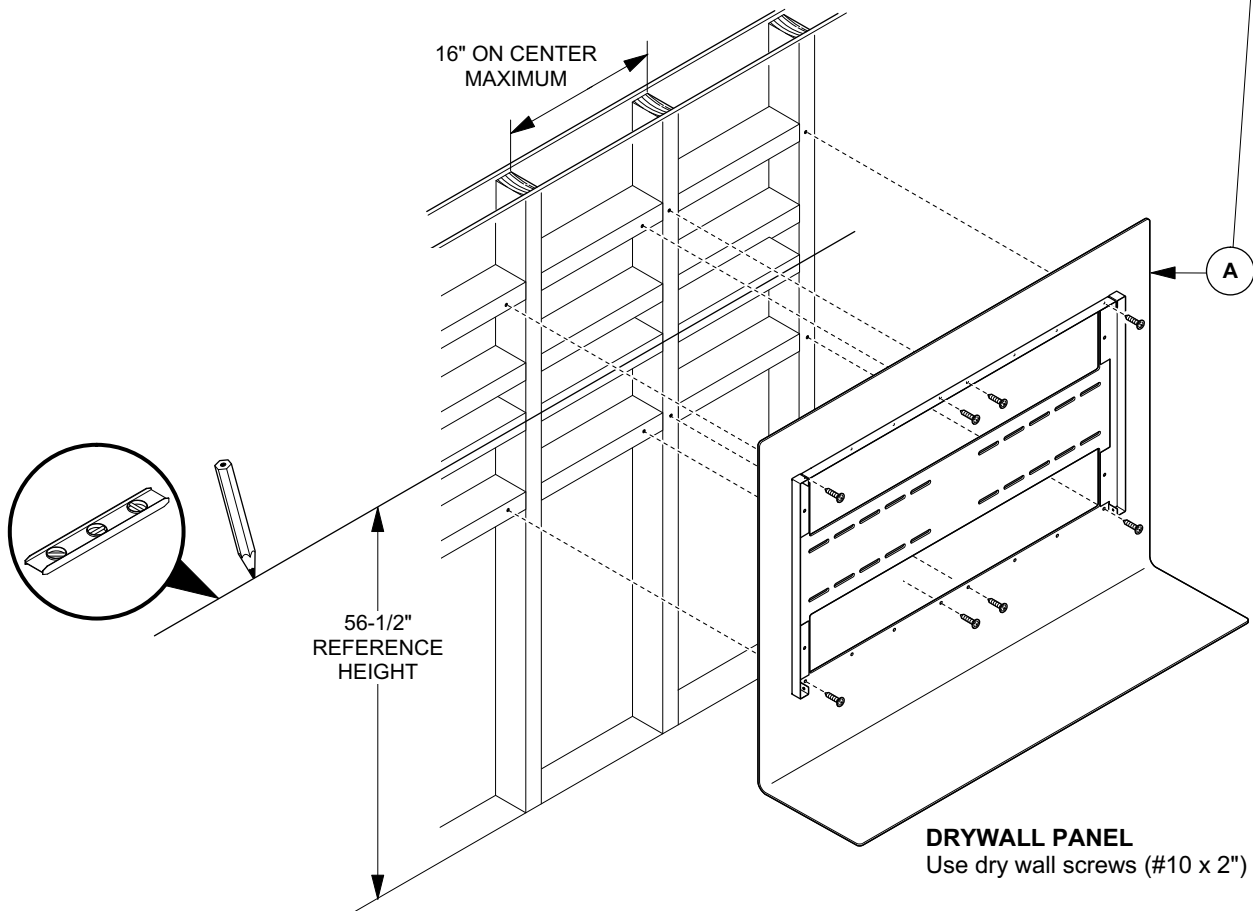
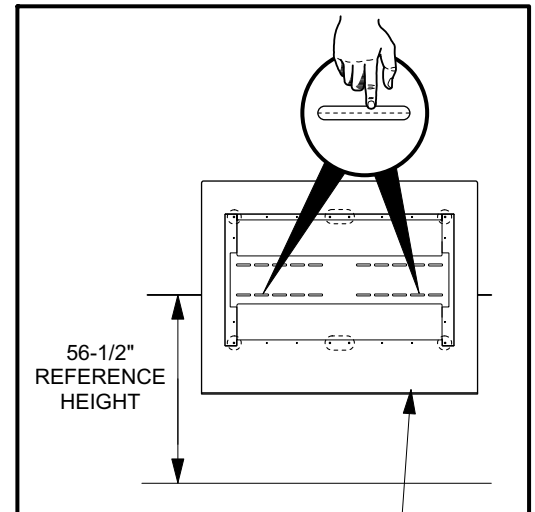
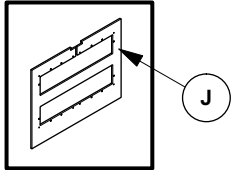
## FOR DRYWALL MOUNT

1

**WARNING!** Appropriate screws/bolts must be used to attach TV mount to wall. Due to various wall constructions, fasteners are not provided.

**Wall with Wood Stud Framing or 3/4" Plywood Surfaces:**  
Wall mount kit must be attached to either wood studs in wall or 3/4" thick plywood securely attached to studs.

**Walls with Gypsum Board, Sheet Rock or Wall E card with Metal Stud Framing:**  
Wall mount kit must be attached to metal studs.



CUSTOMER SERVICE PHONE: 1-800-426-8562

**HAWORTH®**

E.C.O. No: 409-732

Page: 4 of 6

Part No: 7029-9812

Rev: A

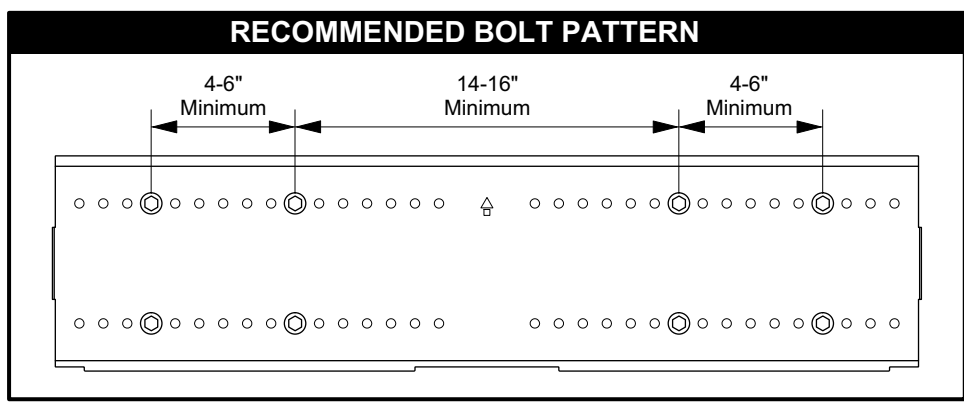
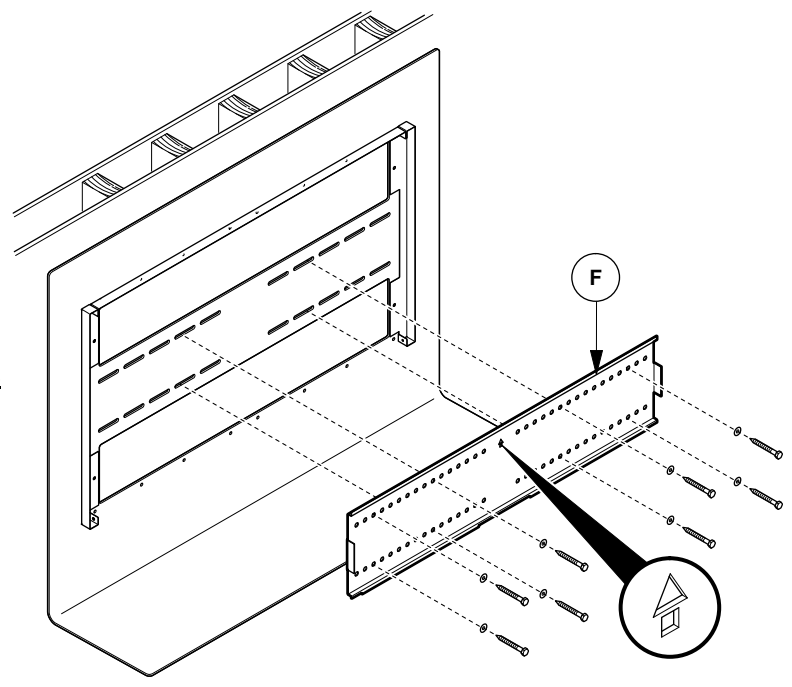
# 2a

## Drywall with Metal Studs

- 8 bolts minimum
- 1/4-20 or 5/16-18 bolts 2" to 2-1/2" long with metal molly or metal toggle anchor into metal stud
- 5/8" drywall minimum

## Drywall with Wood Studs or 3/4" Plywood Surfaces

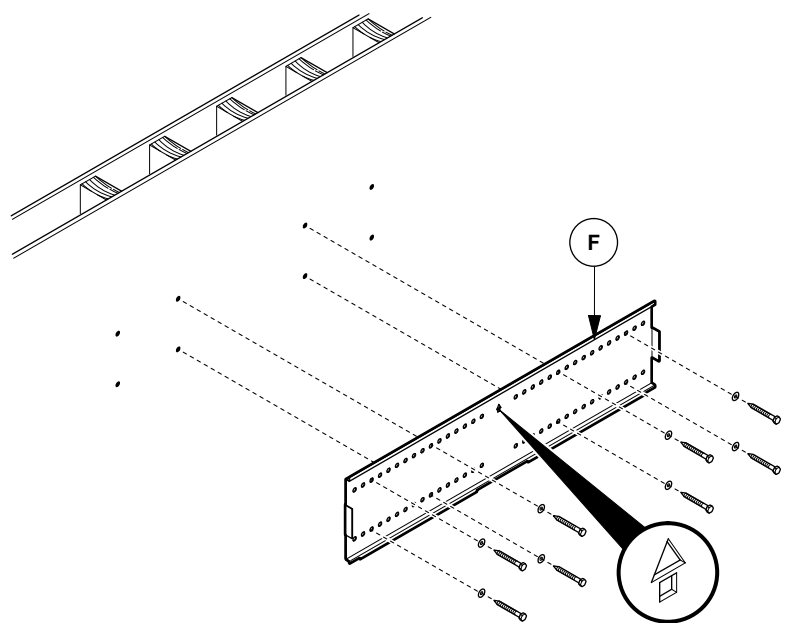
- 8 bolts minimum
- 1/4-20 or 5/16-18 bolts 2" to 2-1/2" long lag bolts into solid wood.
- 5/8" drywall minimum



OR

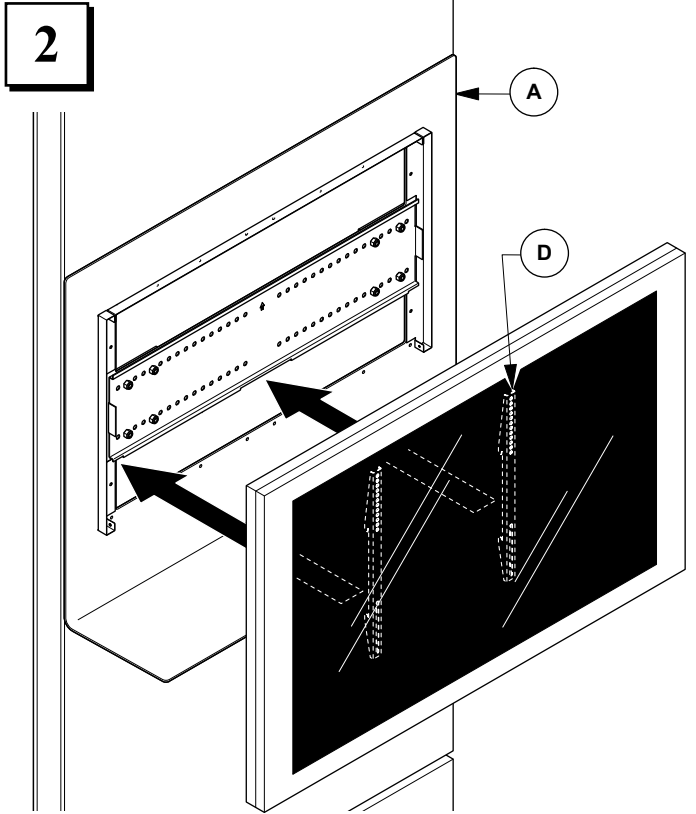
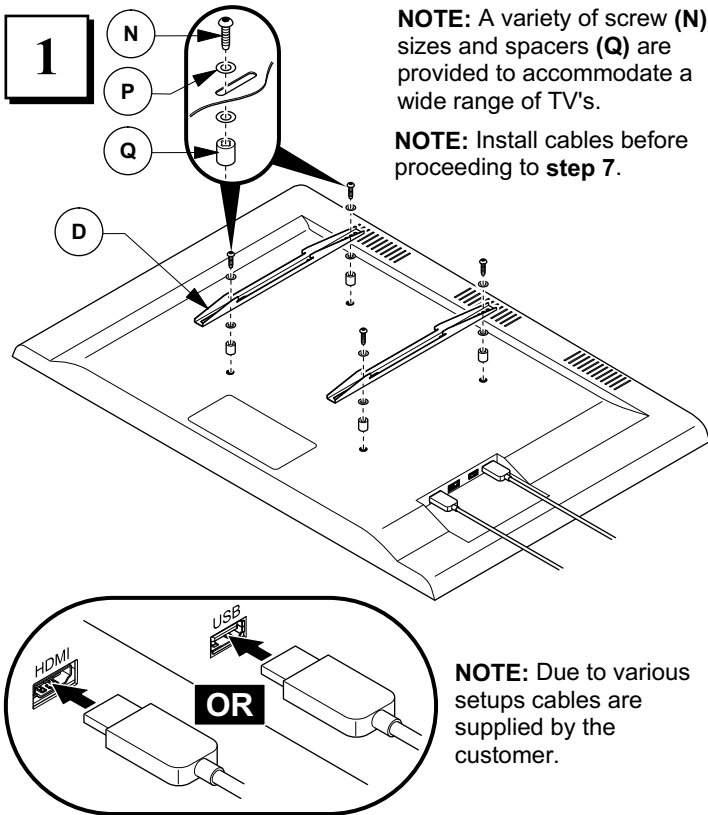
## FOR NON-SHROUD OPTION

# 2b

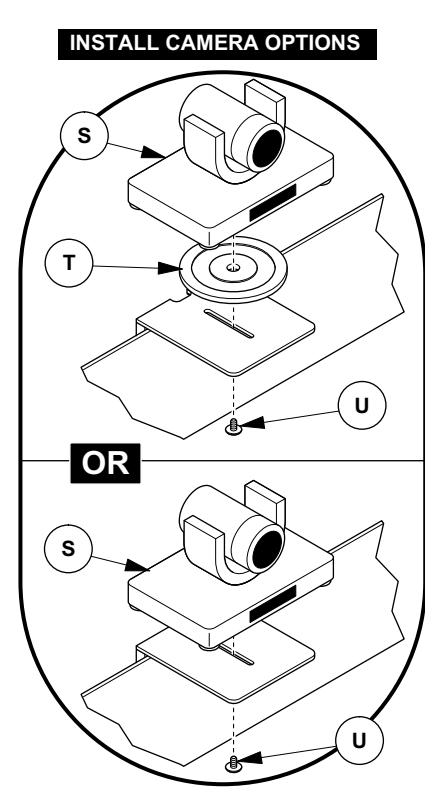
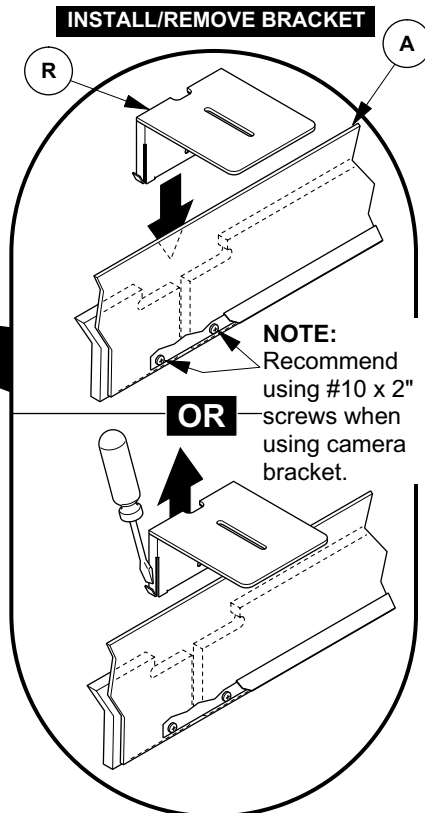
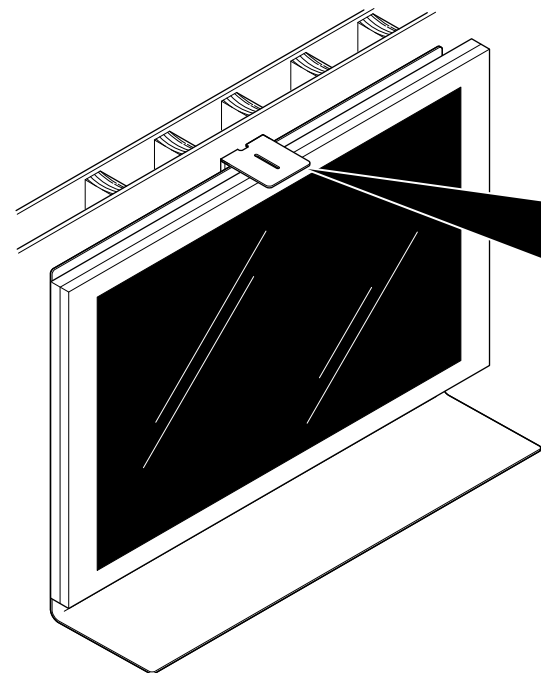
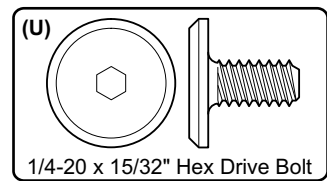


CUSTOMER SERVICE PHONE: 1-800-426-8562

**FOR TV MOUNTING**



**FOR CAMERA BRACKET**



CUSTOMER SERVICE PHONE: 1-800-426-8562