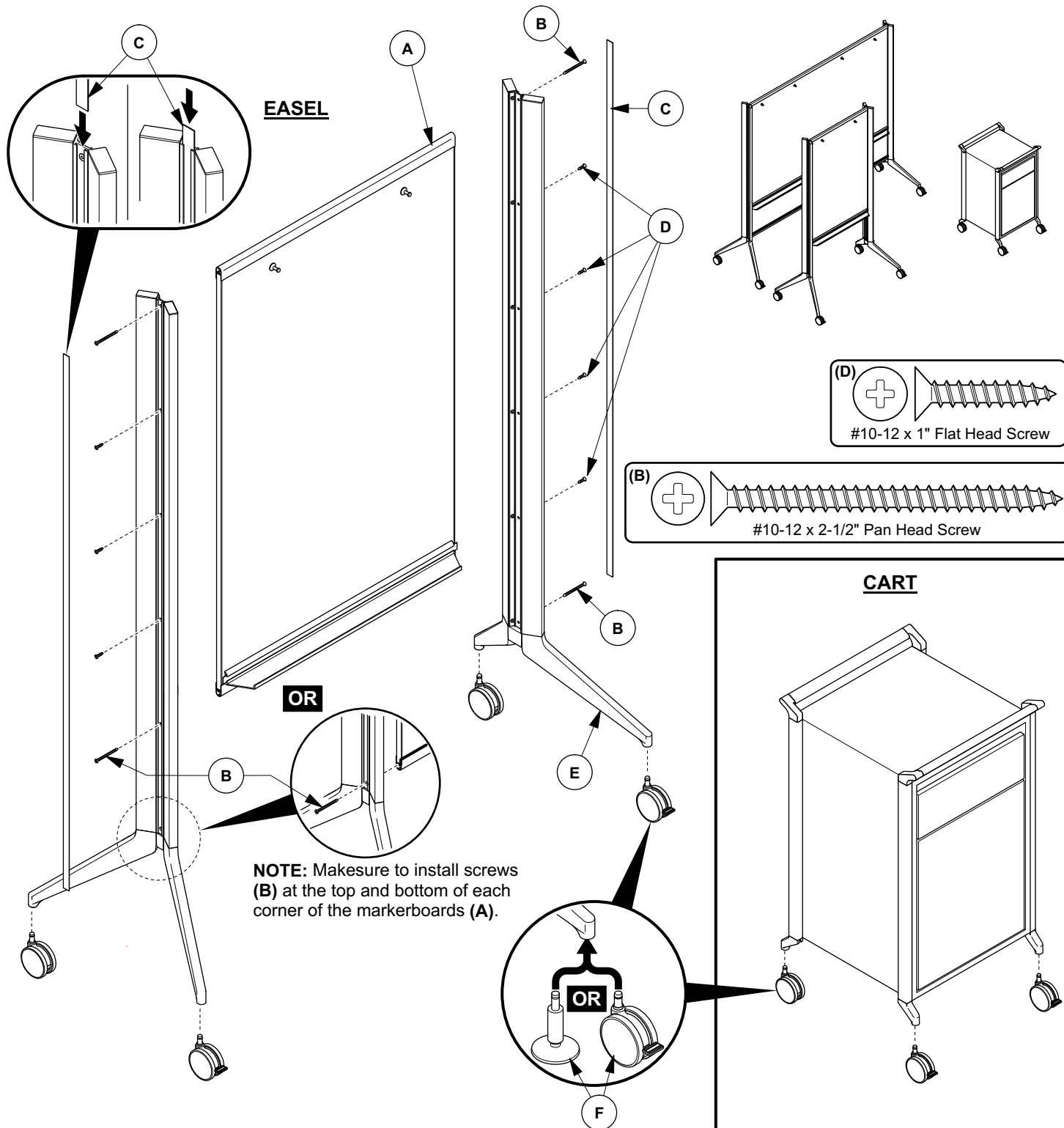
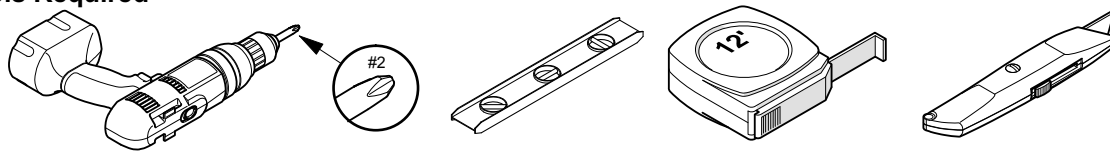


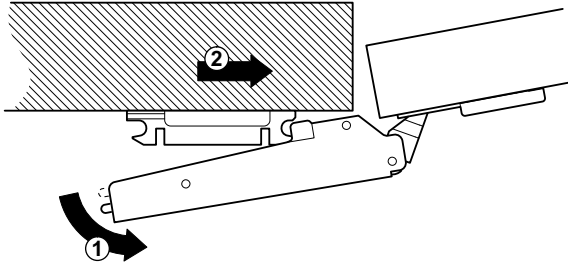
PLANES®
Easel and Cart
Installation Instructions

Tools Required

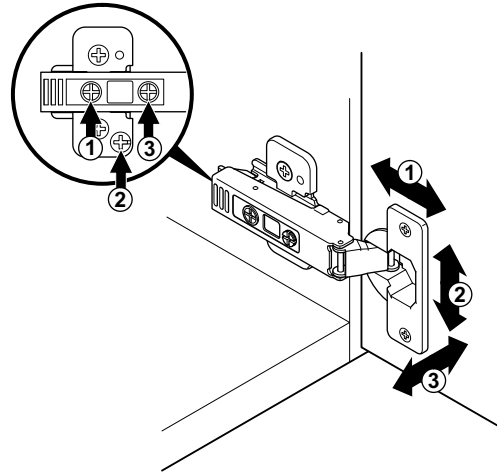


CUSTOMER SERVICE PHONE: 1-800-426-8562

DOOR INSTALLATION/REMOVAL



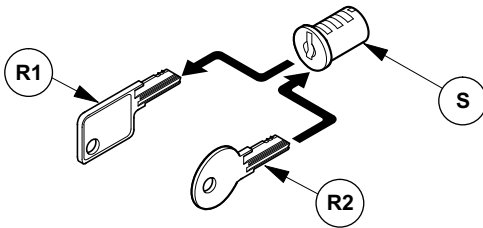
DOOR HINGE ADJUSTMENT



OPTIONAL LOCK PLUG INSTALLATION

1

Replace square key (R1) with round key (R2)

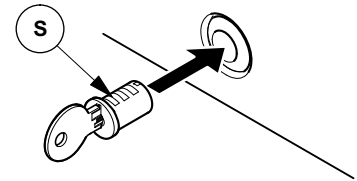


2

Install lock plug (S)

NOTE: Position cam to unlocked (9:00 o'clock) position.

NOTE: It may be necessary to rotate cam until lock plug engages.



3

Remove round key (R2) and insert square key (R1)

NOTE: Hold the lock plug (S) in place with thumb while removing the control key (R2).

