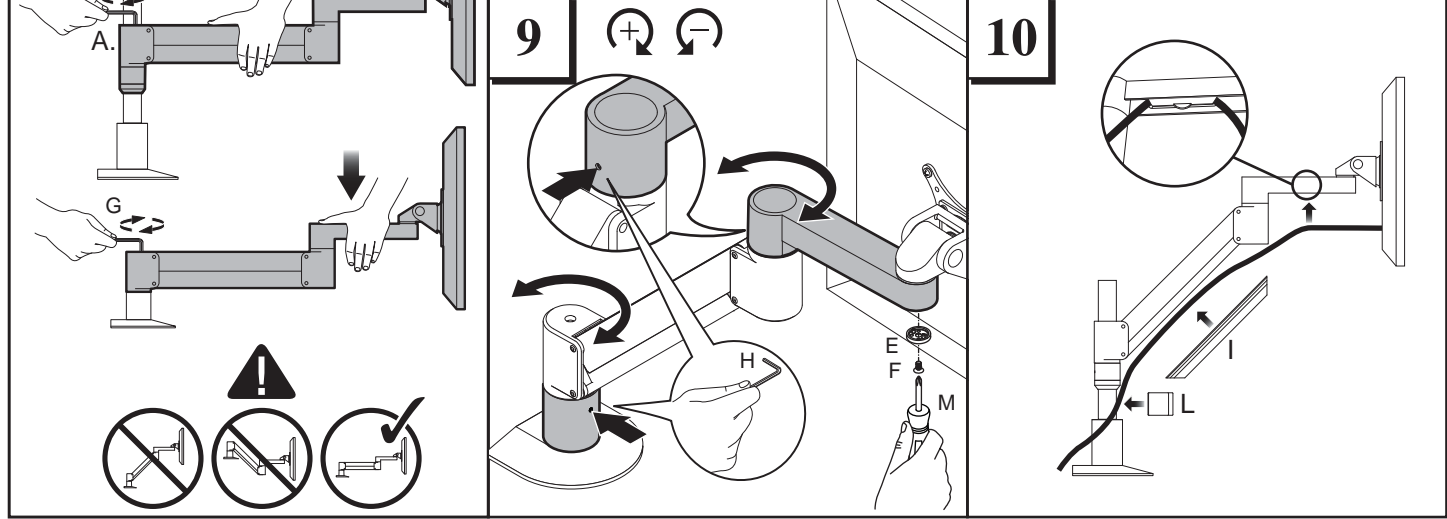
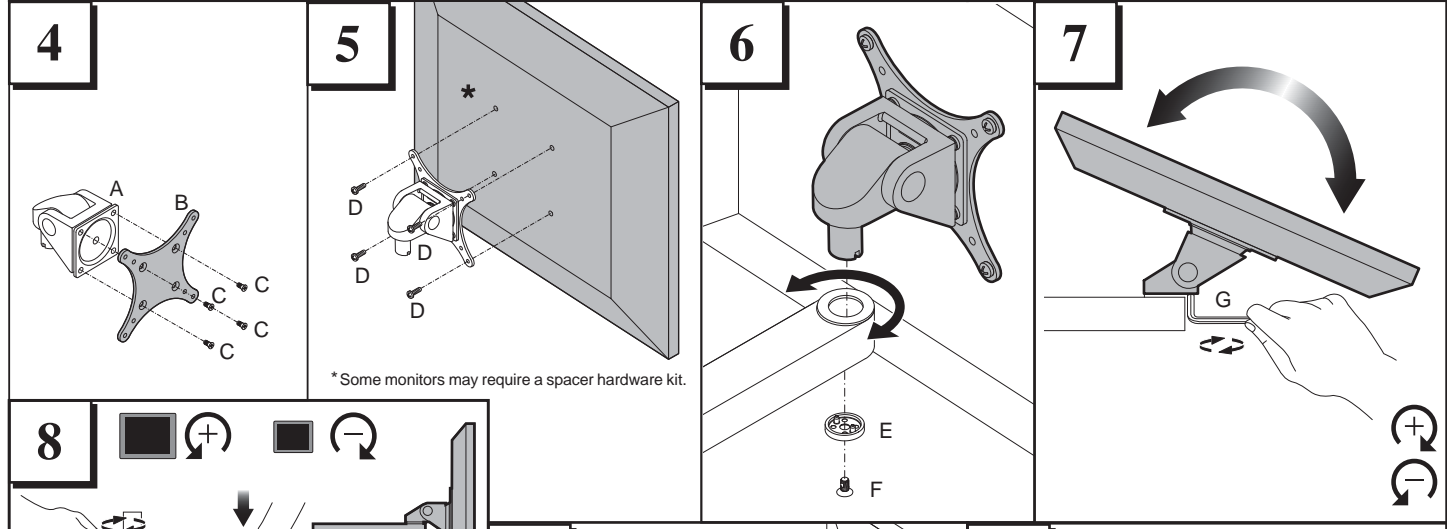
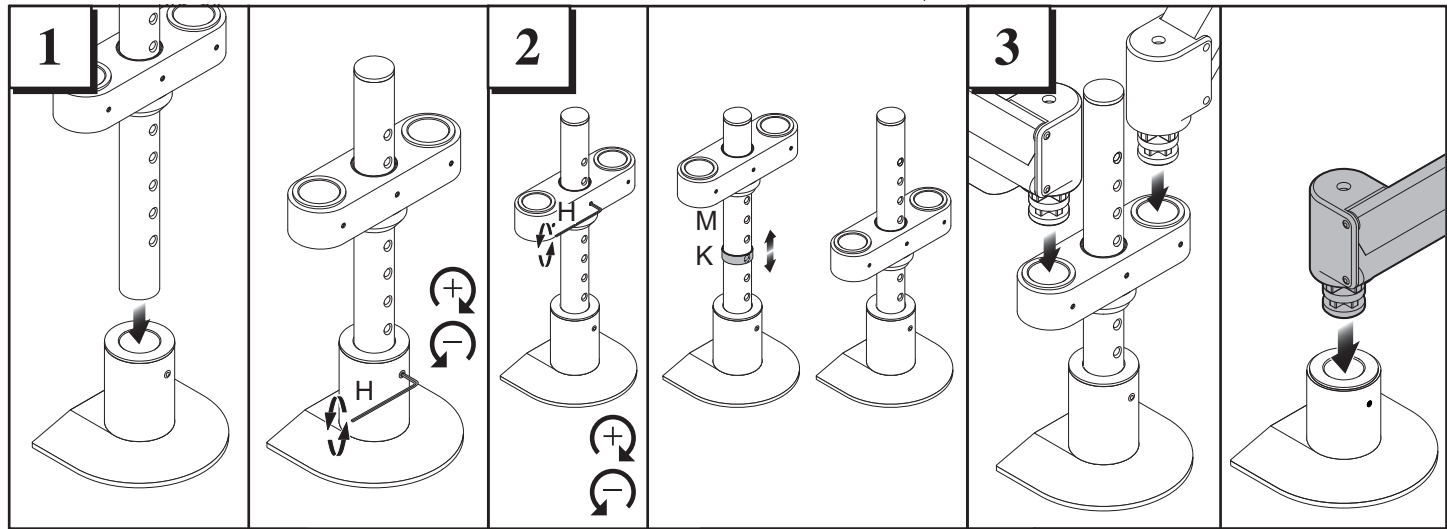
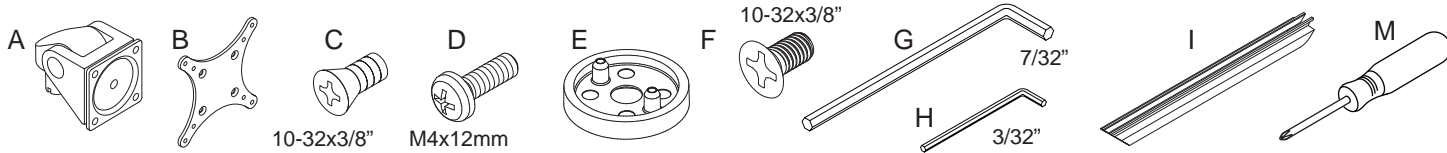


ERGONOMIC TOOLS

Monitor Arm - KU3M series

Installation Instructions

Parts List



CUSTOMER SERVICE PHONE: 1-800-426-8562

HAWORTH

E.C.O. No: 251-196

Page: 1 of 1

Part No: 7029-9694

Rev: D