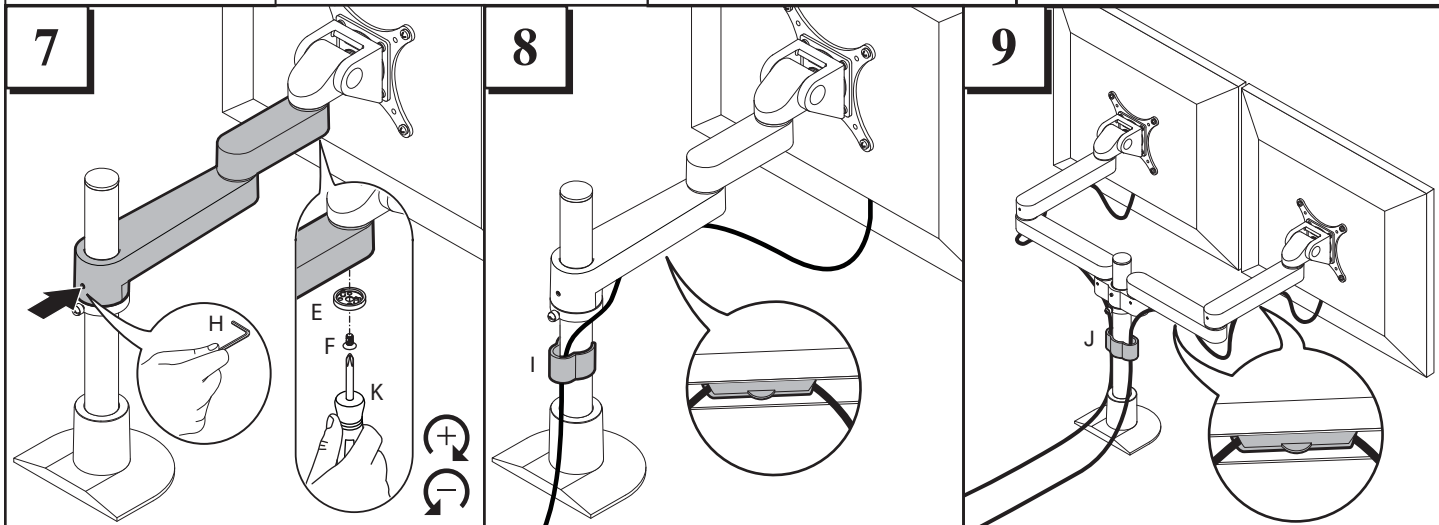
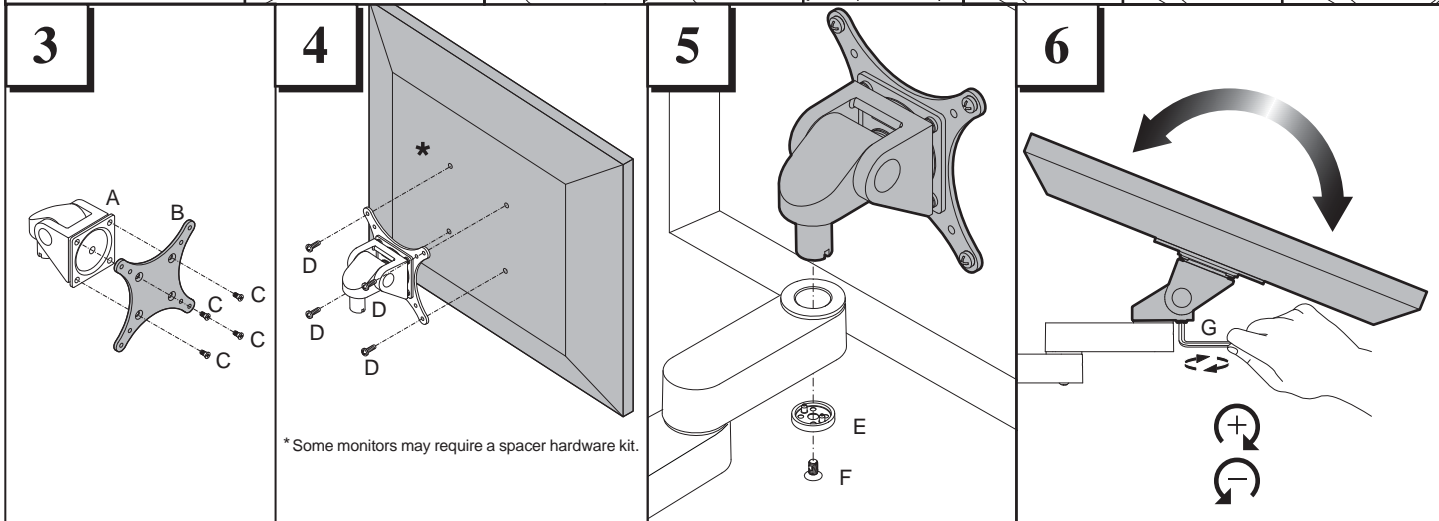
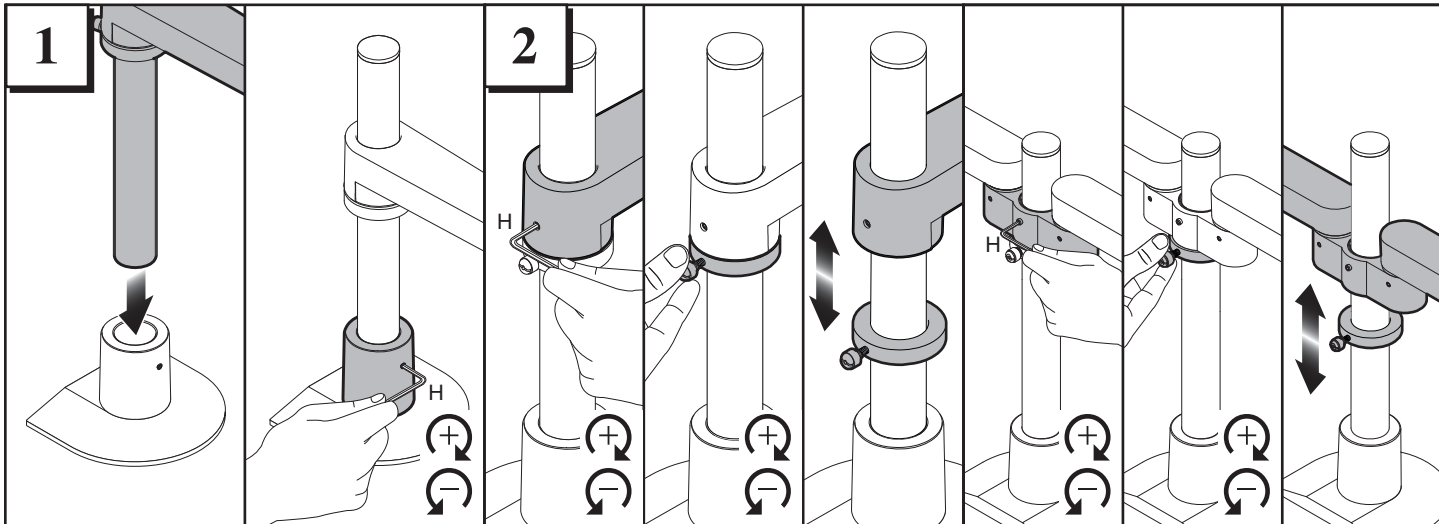
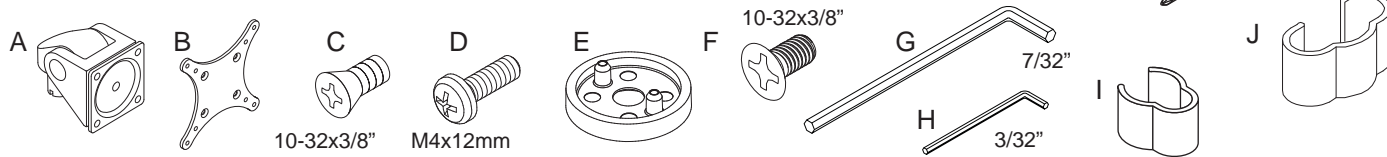


ERGONOMIC TOOLS

Post Monitor Arm - KU1M series Installation Instructions

Parts List



CUSTOMER SERVICE PHONE: 1-800-426-8562

HAWORTH

E.C.O. No: 251-196

Page: 1 of 1

Part No: 7029-9691

Rev: D