



## BuzziFrio

BuzziSpace | BuzziSpace Design Team

Dimensional shapes engineered to optimize acoustical performance give this stunning room divider a mountain-like profile. Mix or match upholstery colors for the trio of panels, available in a Machu or Pichu pattern. The scale and size of the panels, set closely together, effectively regulate sound throughout public or private spaces.

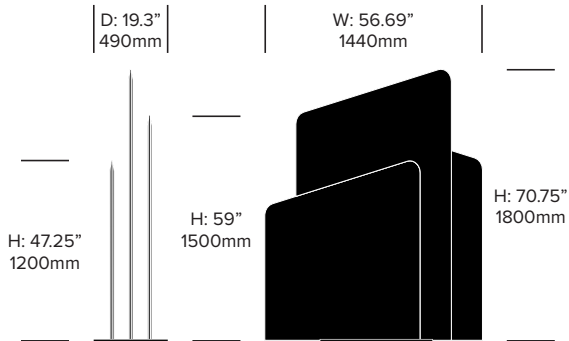
HAWORTH® Collection

# BuzziFrio

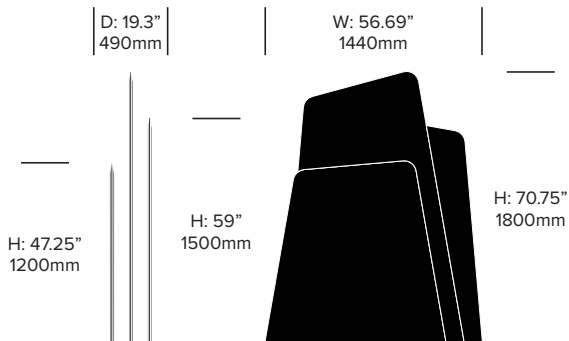
BuzziSpace | BuzziSpace Design Team | Made in the United States



## Machu



## Pichu



## UPHOLSTERY AND FINISHES

### Fabric Grade A

Fabric (BFA)  
Kvadrat® Revive 1 (BR1)  
Kvadrat® Revive 2 (BR2)  
Rough (BRO)  
Trevira CS (BCS)  
Trevira CS+ (BCP)

### Fabric Grade B

Kvadrat® Clara 2 (BC2)  
Kvadrat® Remix 2 (BRX)  
Terra (BTE)  
Velvet (BVE)

### Fabric Grade C

Kvadrat® Hero (BHR)

### Fabric Grade D

Kvadrat® Tonus 4 (BT4)  
Kvadrat® Tonus Meadow (BTM)

### Fabric Grade E

Kvadrat® Memory 2 (BM2)

### Fabric Grade F

Kvadrat® Matrix (BMX)

### Felt

BuzziFelt (BFE)

### Base Paint

Alu (BTR-90006)  
Black (BTR-90005)

## ACOUSTICS

### Acoustic Principles



Diffusion



Attenuation

### Acoustic Performance



High Tones