



## BuzziJet

BuzziSpace | BuzziSpace Studio | 2018

Based on the principles of geometric acoustics, BuzziJet is a simple, modern pendant light expertly designed to absorb and diffuse sound. Available in small or medium sizes, BuzziJet's oversized upholstered body appears lightweight and airy in a wide selection of fabrics that seamlessly cover the foam core cylinder.

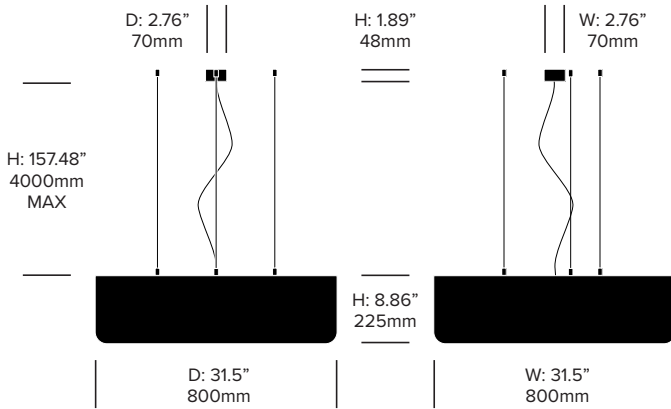
HAWORTH® Collection

# BuzziJet

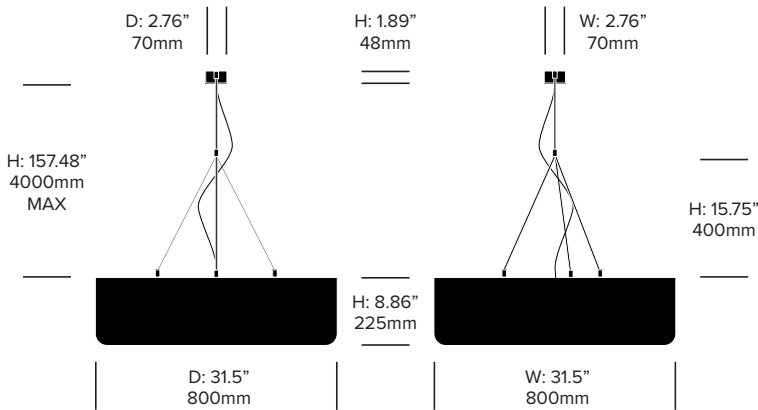
BuzziSpace | BuzziSpace Studio | 2018 | Imported from the Netherlands



## Small Pendant with Straight Cables



## Small Pendant with Split Cables



## UPHOLSTERY AND FINISHES

For a complete list of upholstery options, please refer to [surfaces.haworth.com](https://surfaces.haworth.com).

### Cable Trim

Alu (BTR-9006)  
Black (BTR-9005)

## FEATURES AND SPECIFICATIONS

Voltage:	120V 50/60Hz
Power consumption:	29 watts
Color temperature:	3000K
Luminosity:	2545 lumens
Luminaire efficacy:	88 lumens/watt
Color rendition index:	>90 CRI
Rated lifespan:	50,000 hours

All BuzziJet lighting is UL and CE certified.



## ACOUSTICS

### Acoustic Principles



Absorption

### Acoustic Performance



Low Tones



Mid Tones



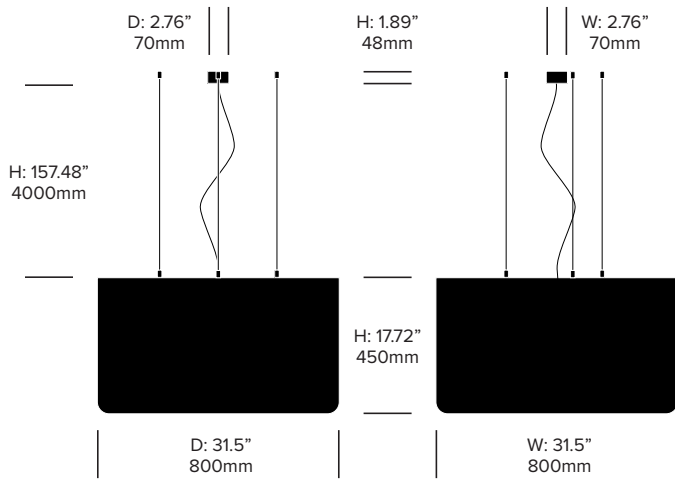
High Tones

# BuzziJet

BuzziSpace | BuzziSpace Studio | 2018 | Imported from the Netherlands



## Medium Pendant with Straight Cables



## Medium Pendant with Split Cables

