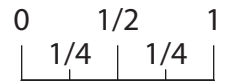
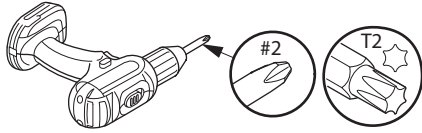


**CULTIVATE®**  
**Tables & Accessories**  
**Installation Instructions**

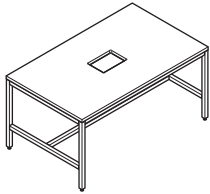


**Scale 1 : 1**

**Tools Required**

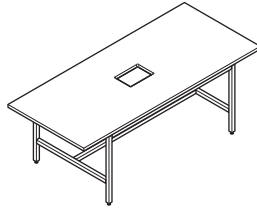


**FLUSH**



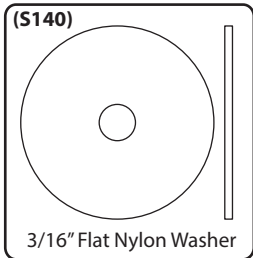
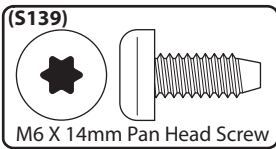
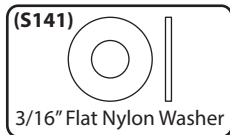
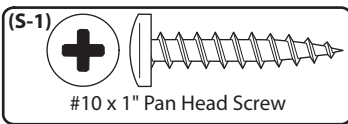
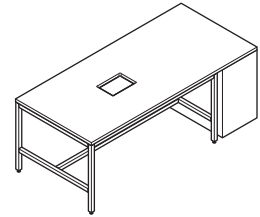
**OR**

**OVERHANG**



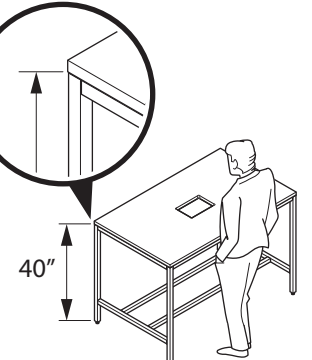
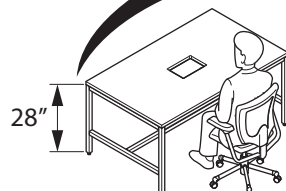
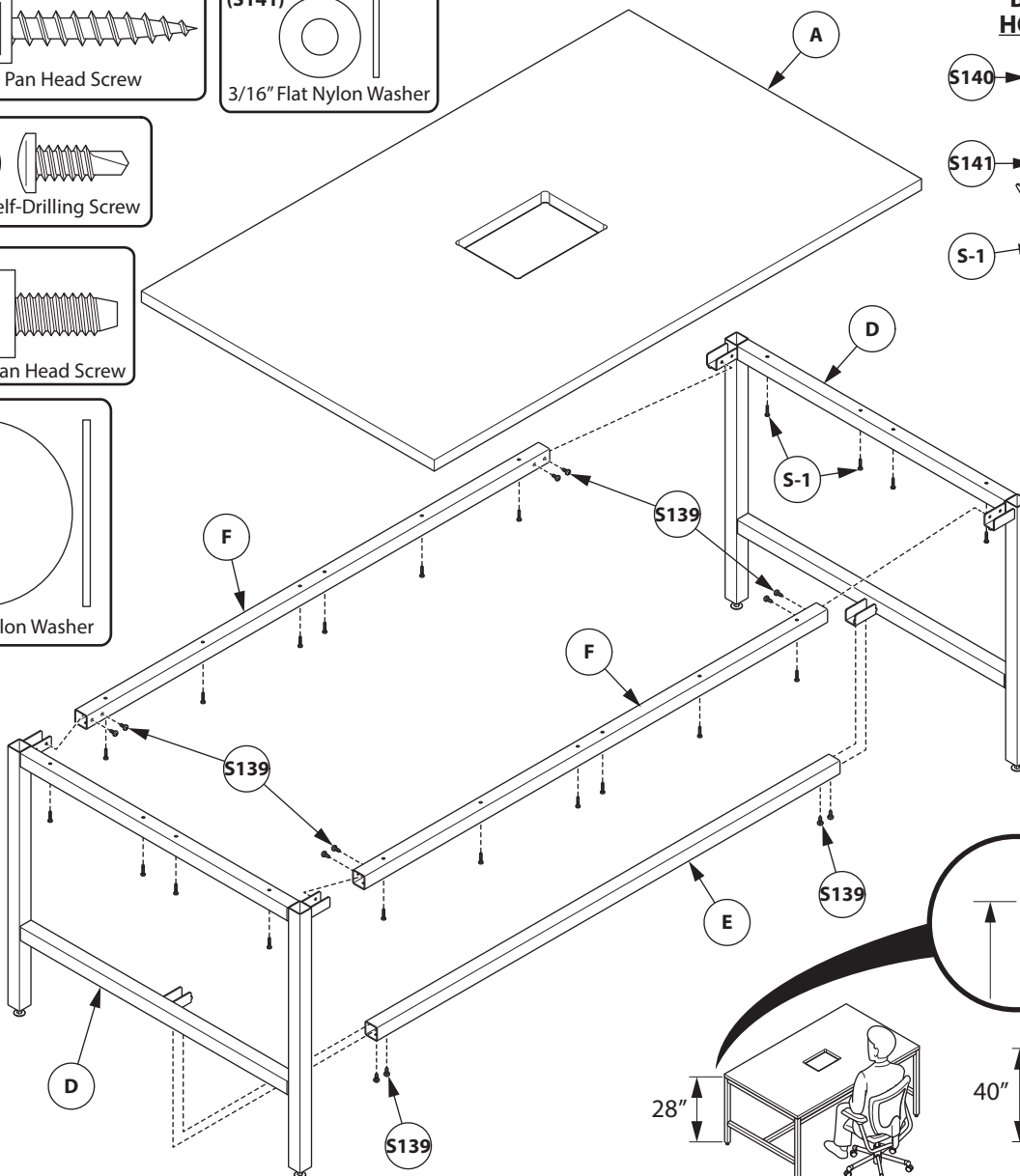
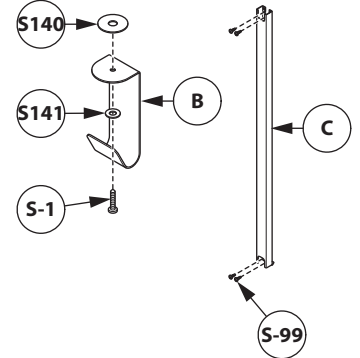
**OR**

**STORAGE**



**BAG HOOK**

**CABLE TROUGH**



**SEATED HEIGHT**

**STANDING HEIGHT**

CUSTOMER SERVICE PHONE: 1-800-426-8562

**HAWORTH®**

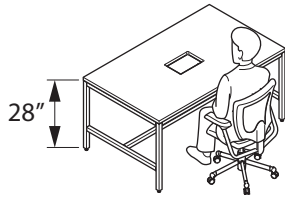
E.C.O. No: 245-626

Page: 1 of 4

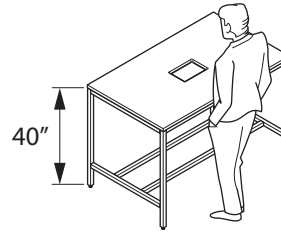
Part No: 6100-0085

Rev: 1

1

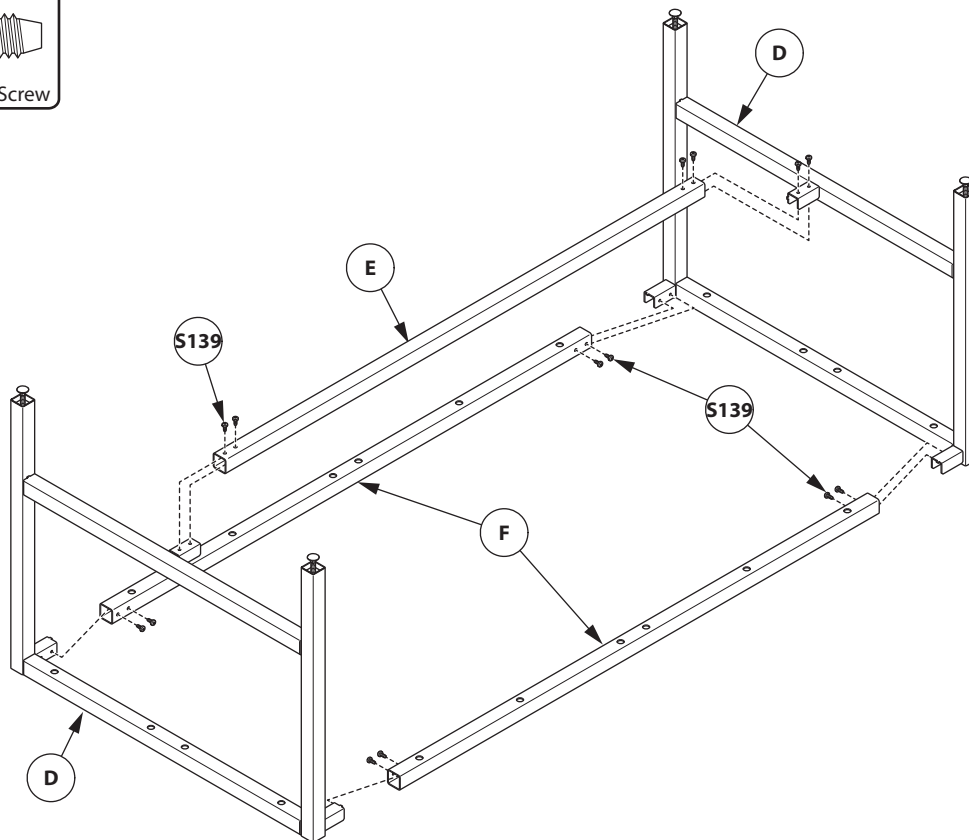
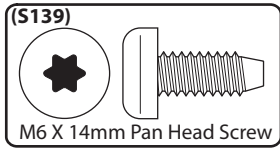
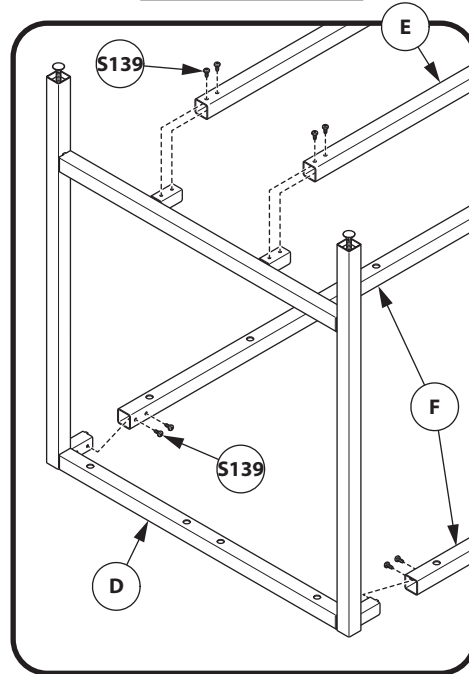
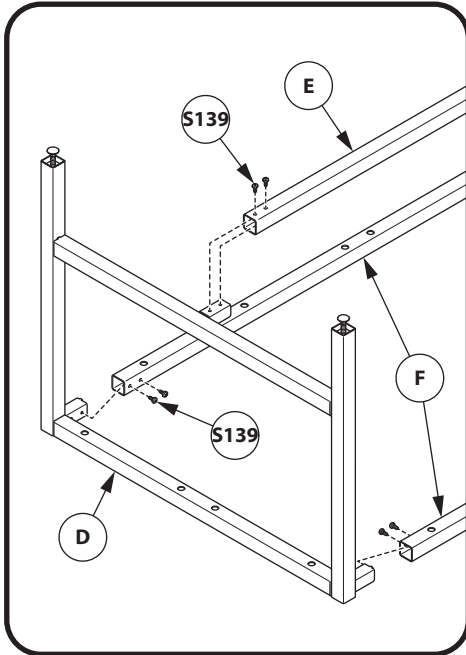


SEATED HEIGHT



STANDING HEIGHT

OR



CUSTOMER SERVICE PHONE: 1-800-426-8562

**HAWORTH**<sup>®</sup>

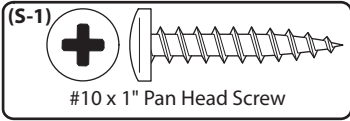
E.C.O. No: 245-626

Page: 2 of 4

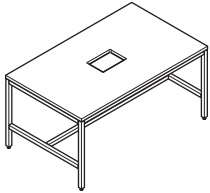
Part No: 6100-0085

Rev: 1

2

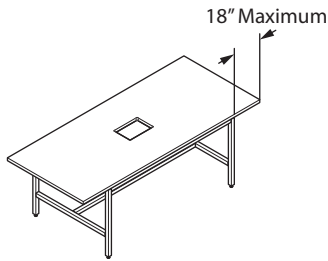


**FLUSH**



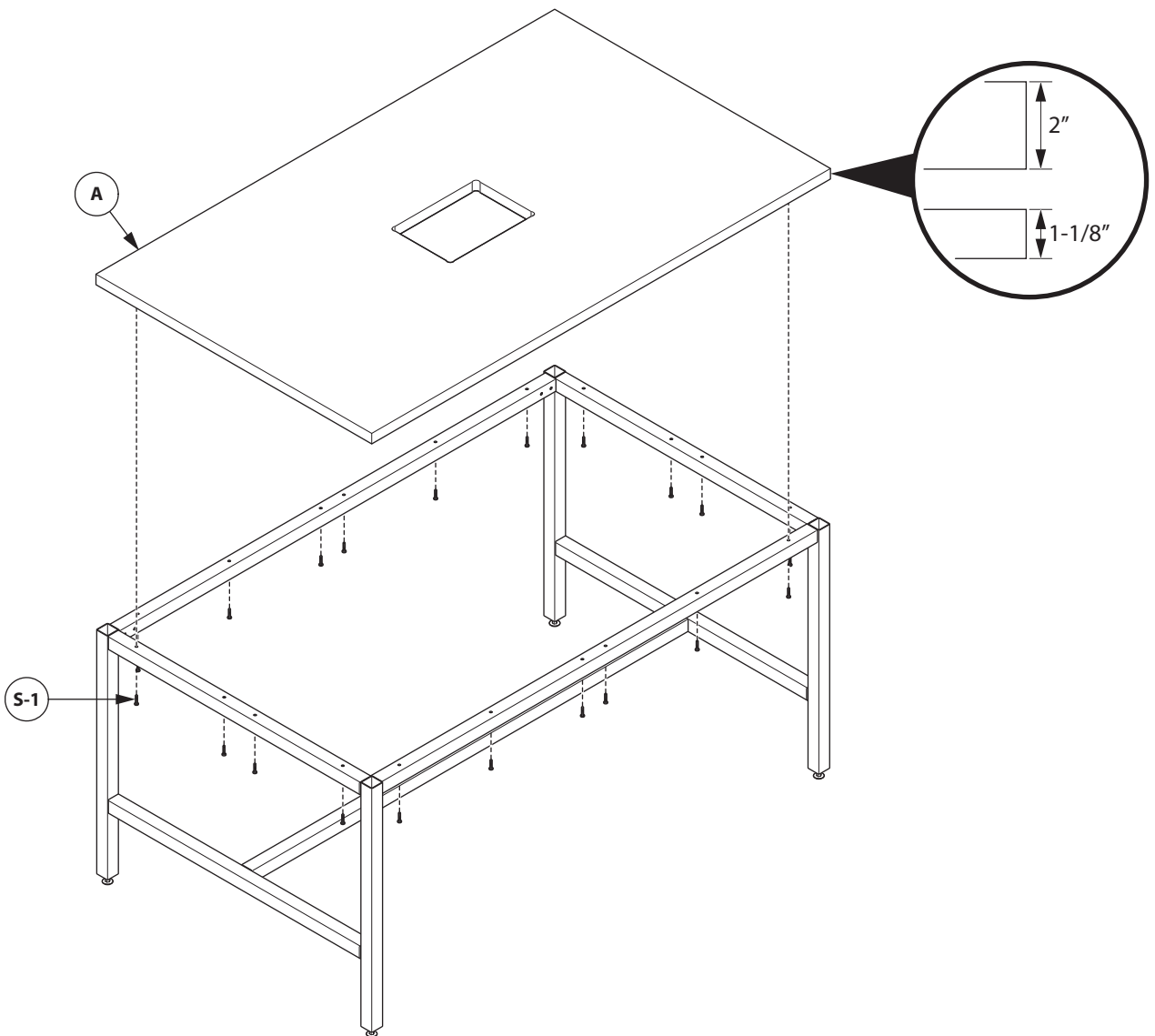
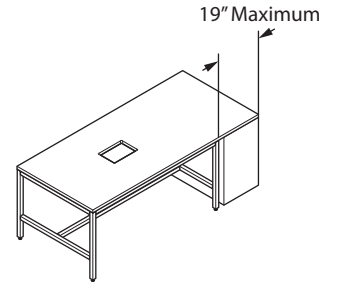
**OR**

**OVERHANG**



**OR**

**STORAGE**



CUSTOMER SERVICE PHONE: 1-800-426-8562

**HAWORTH**<sup>®</sup>

E.C.O. No: 245-626

Page: 3 of 4

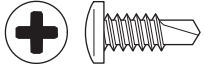
Part No: 6100-0085

Rev: 1

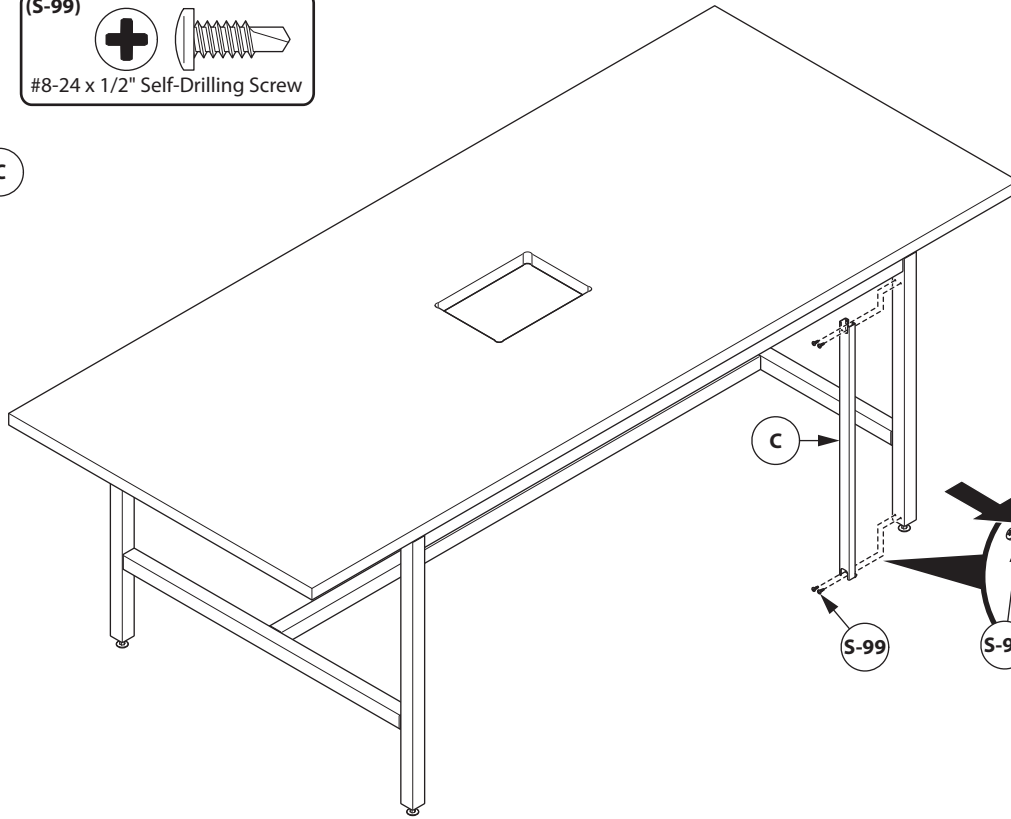
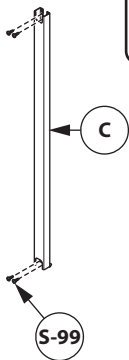
**CABLE TROUGH**

**3**

(S-99)



#8-24 x 1/2" Self-Drilling Screw



C

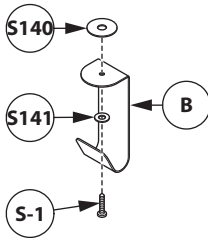
S-99

S-99

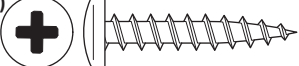
C

**BAG HOOK**

**4**

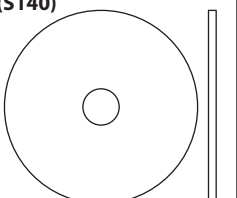


(S-1)



#10 x 1" Pan Head Screw

(S140)

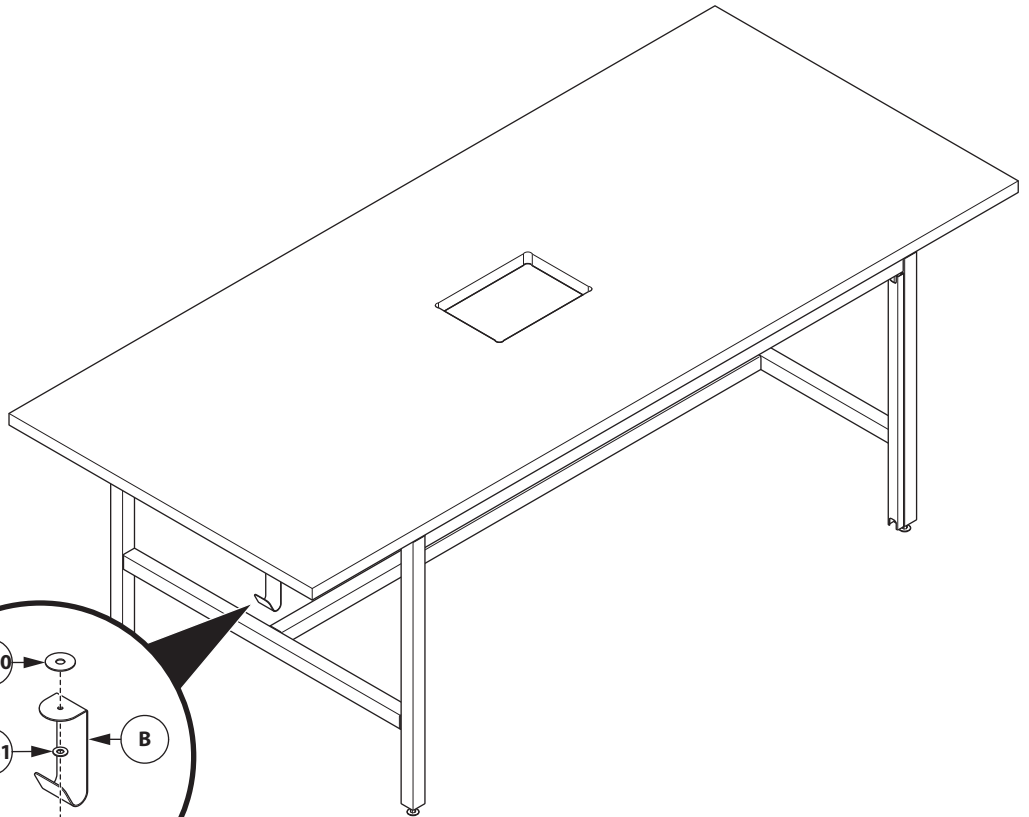
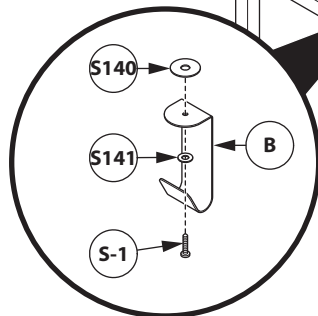


3/16" Flat Nylon Washer

(S141)



3/16" Flat Nylon Washer



S140

S141

S-1

B

CUSTOMER SERVICE PHONE: 1-800-426-8562

**HAWORTH**

E.C.O. No: 245-626

Page: 4 of 4

Part No: 6100-0085

Rev: 1