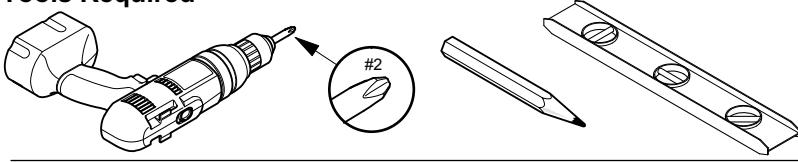


# PLANES®

## Base Feed Assembly Installation Instructions

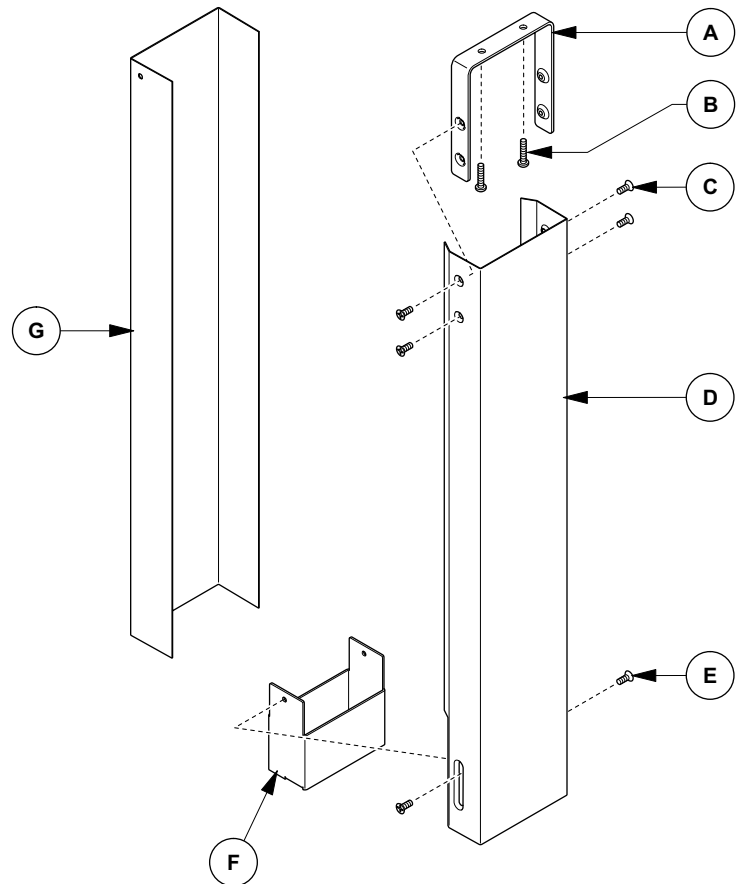
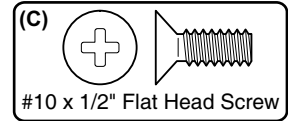
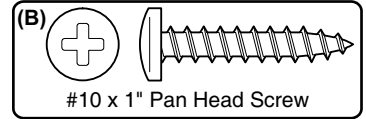
### Tools Required



**WARNING:** Do not electrically interconnect modular power distribution systems powered from two different power feed units. This poses a **SHOCK HAZARD** to service personnel and will cause **RISK OF FIRE** due to excessive circulating currents.

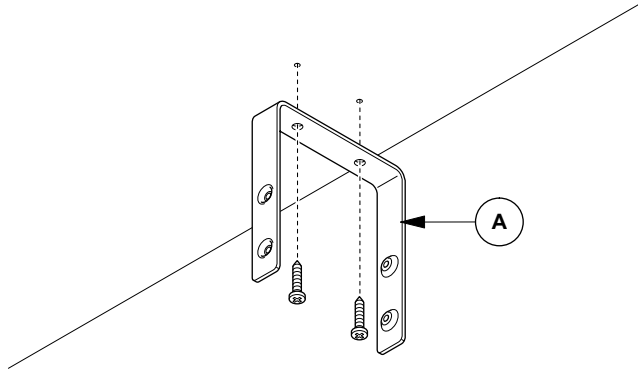
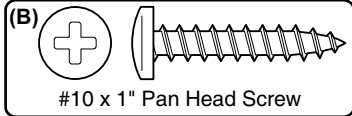
**WARNING:** Power to all branch circuits **MUST REMAIN DISCONNECTED** during installation or removal of electrical components and raceway covers to avoid **SHOCK HAZARDS**.

**NOTE:** Connections of this modular power distribution component **MUST** be done by a licensed electrician, who must control the size and loading of each branch circuit. The person or group installing Haworth products is responsible for complying with all applicable building and electrical code requirements.



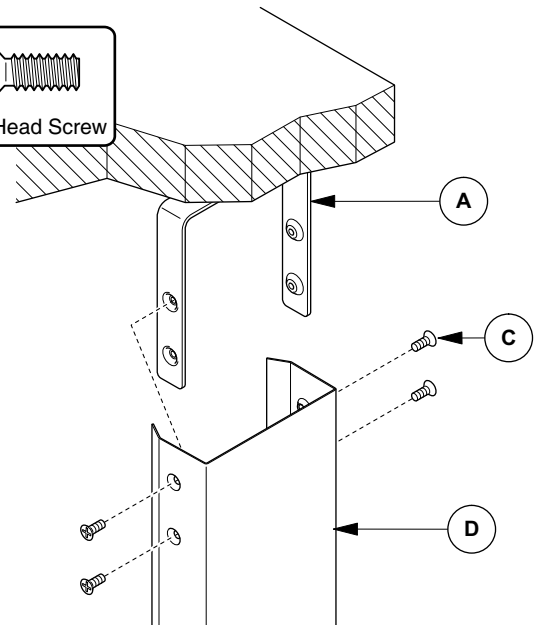
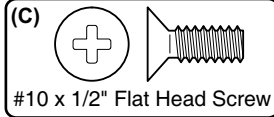
1

Install L-brackets (A)



2

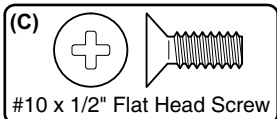
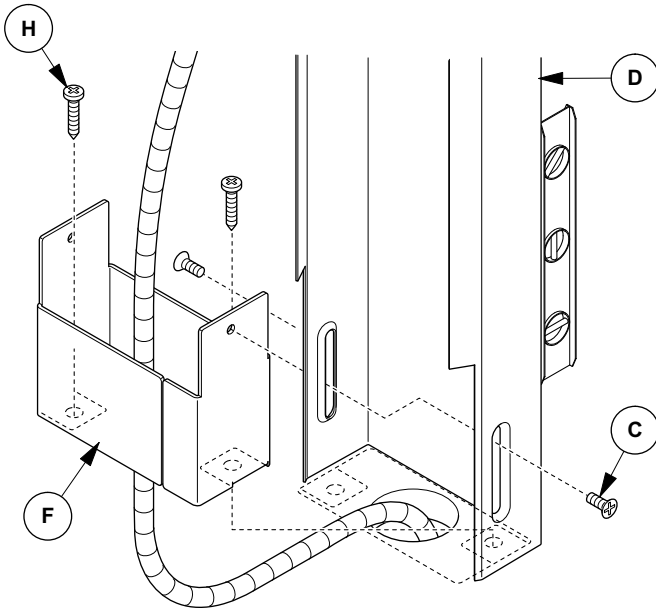
Install inner cover (D)



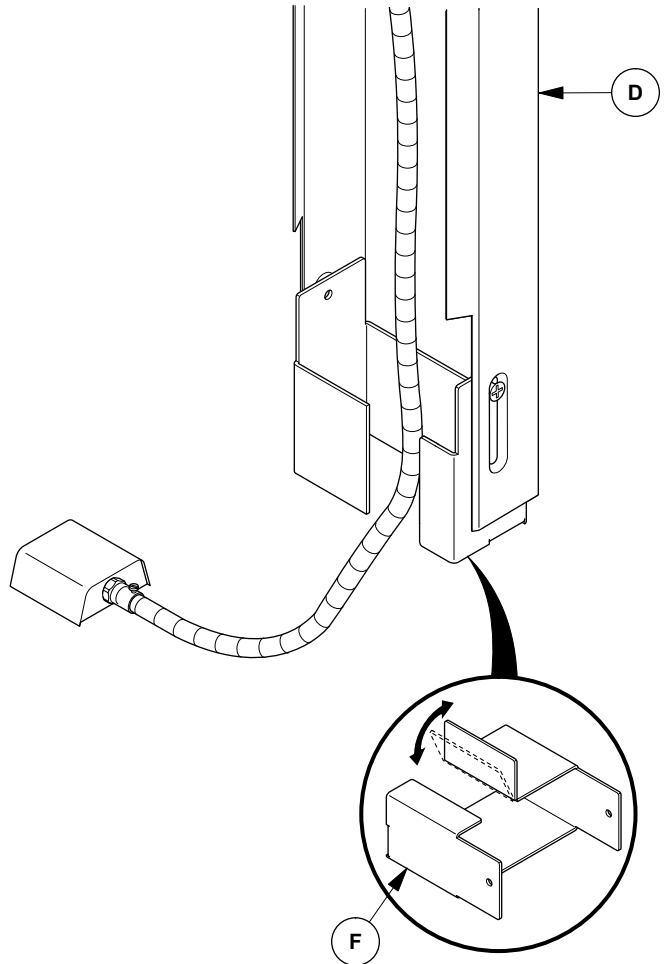
3

Install floor bracket (F)

**WARNING! Appropriate screws/bolts (H) must be used to attach bracket to floor. Due to various floor constructions, fasteners are not provided.**



OPTIONAL ROUTING ABOVE FLOOR



CUSTOMER SERVICE PHONE: 1-800-426-8562

**4** Route cables

**5** Install cover (G)

