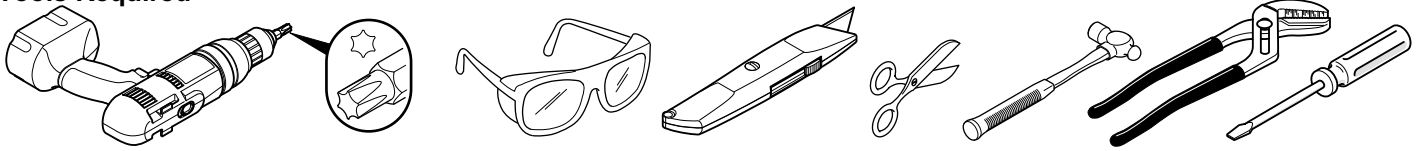




VERY®

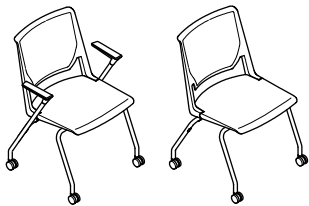
Fixed Back Side Chair & Stool Disassembly & Recycling Instructions

Tools Required

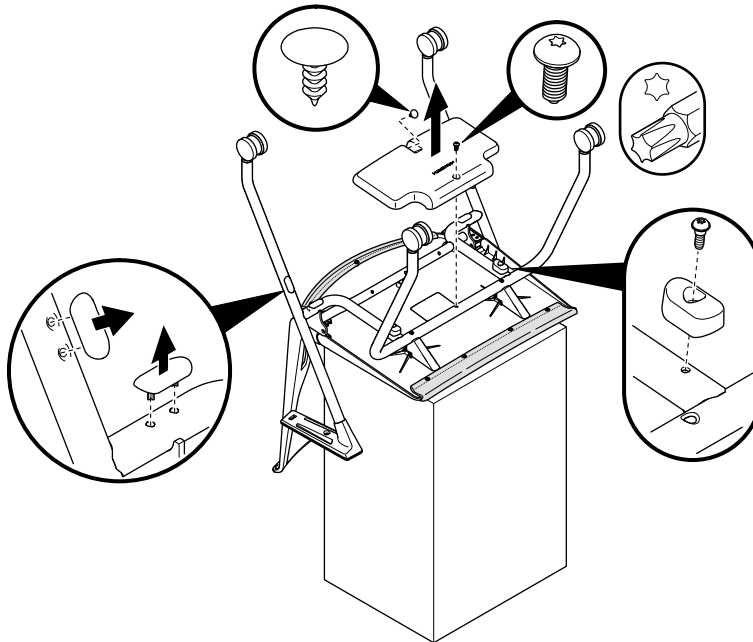
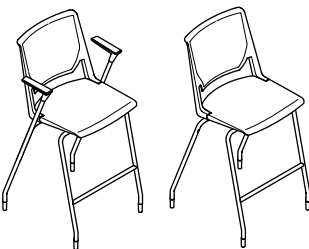


1

SIDE CHAIR



SIDE STOOL

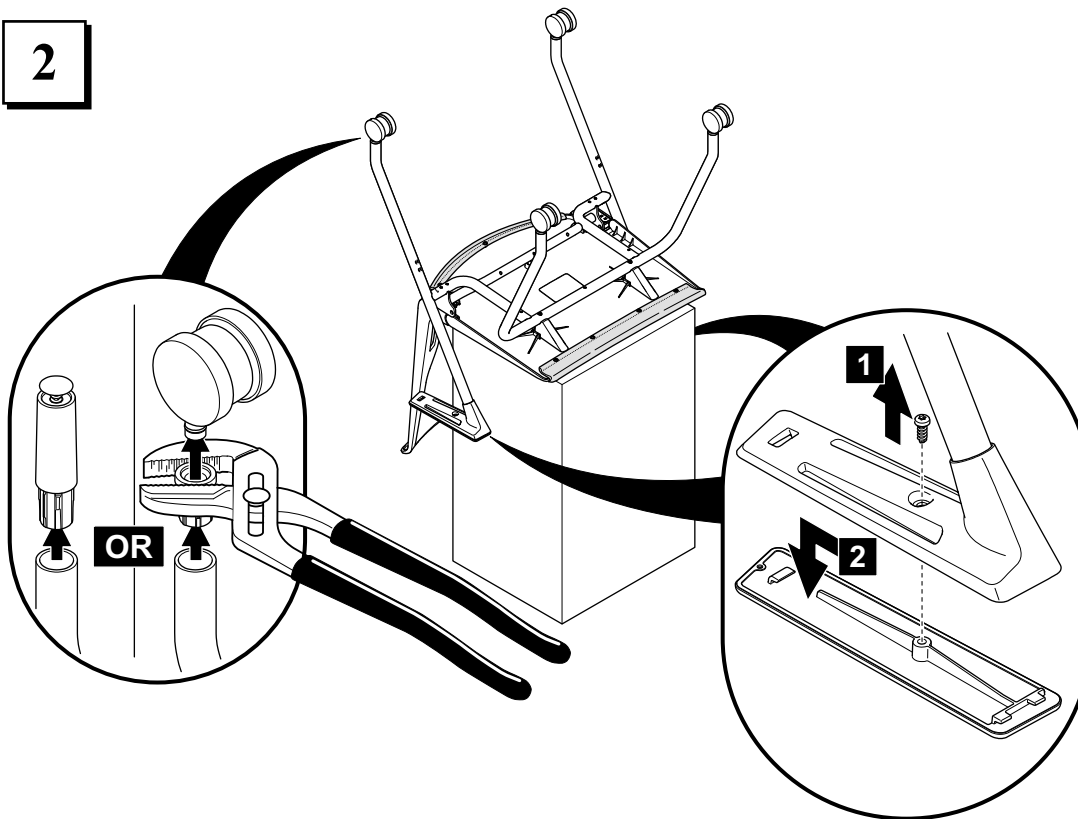


RECYCLE BINS

STEEL

PLASTIC

2



RECYCLE BINS

STEEL

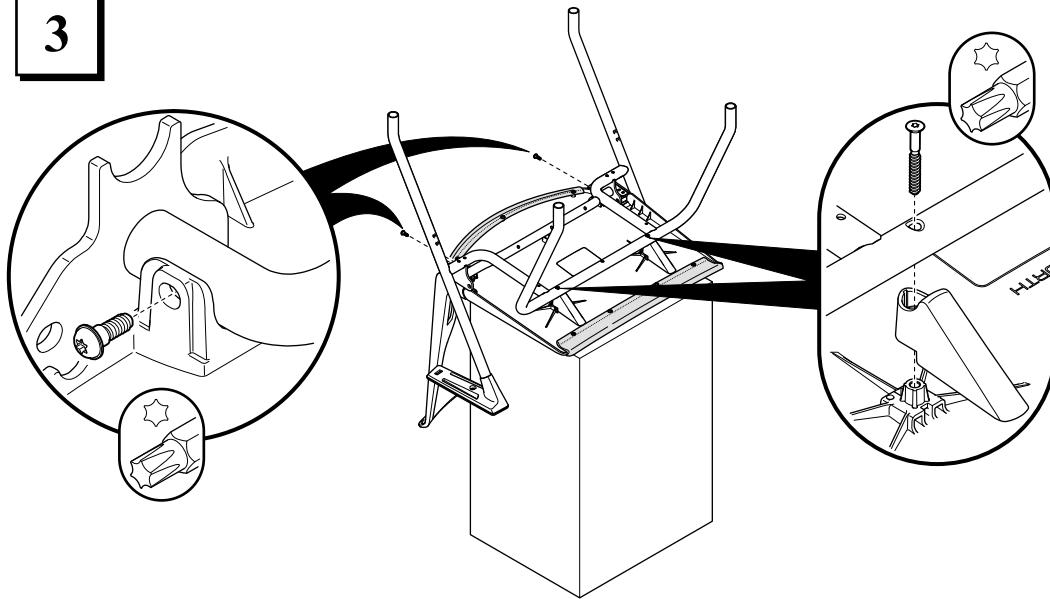
RUBBER

PLASTIC

CUSTOMER SERVICE PHONE: 1-800-426-8562

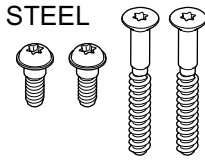
HAWORTH®

3

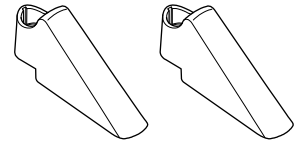


RECYCLE BINS

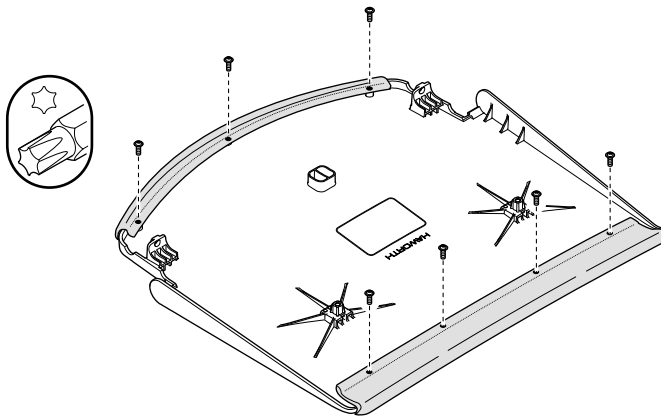
STEEL



PLASTIC

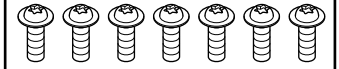


4

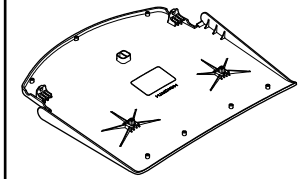


RECYCLE BINS

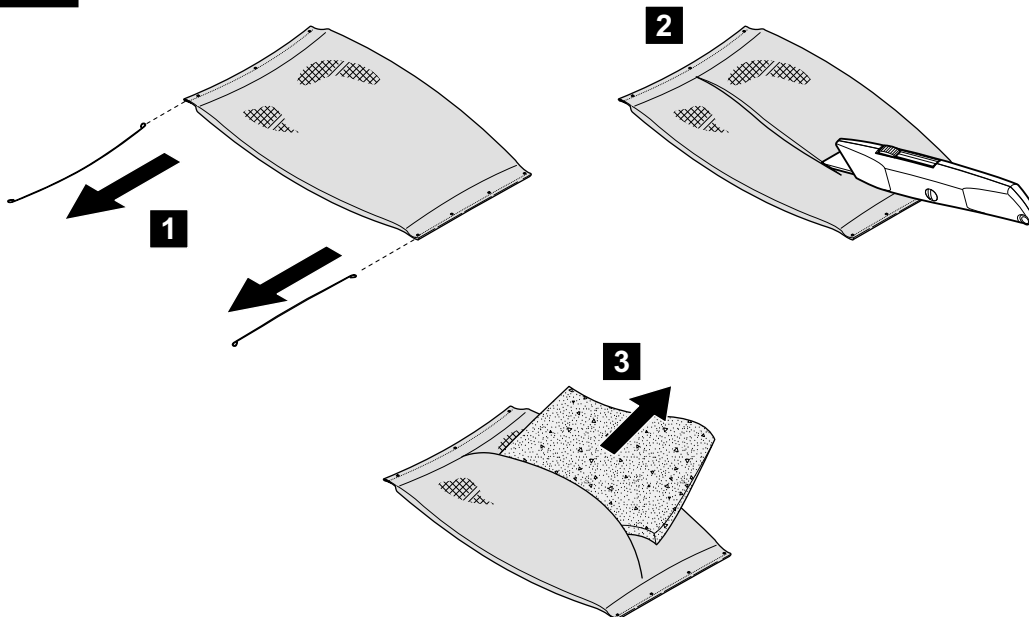
STEEL



PLASTIC

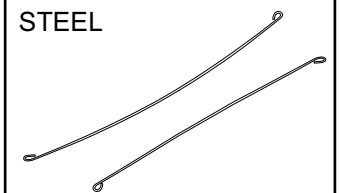


5

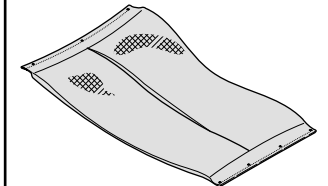


RECYCLE BINS

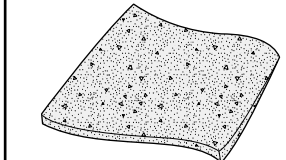
STEEL



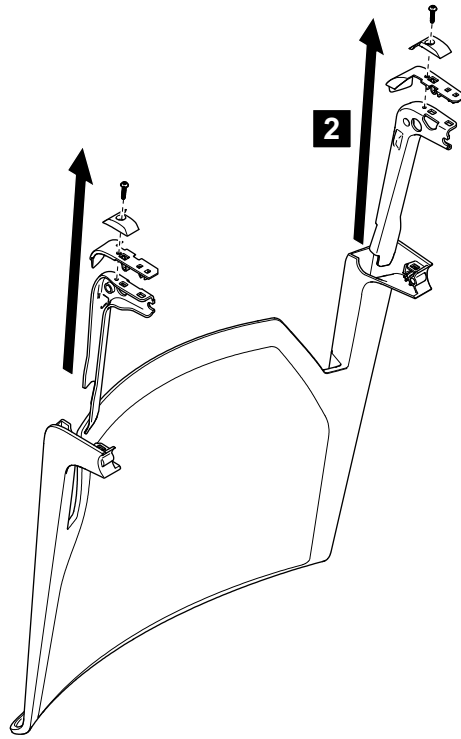
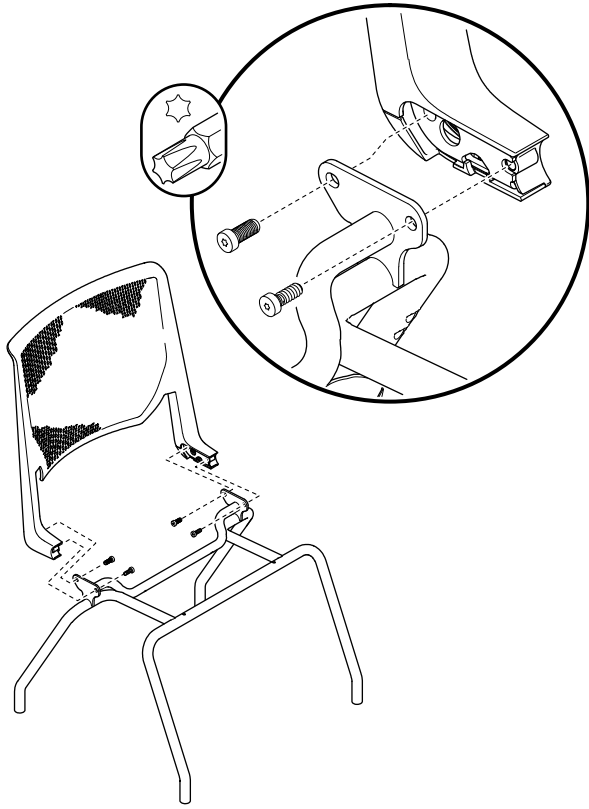
MATERIAL



FOAM

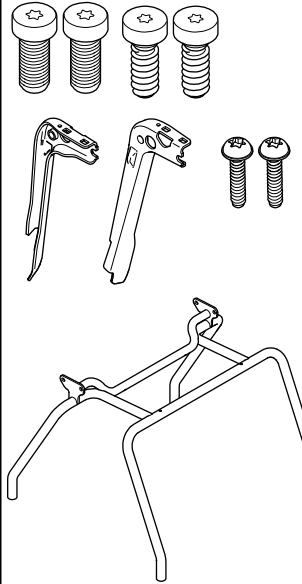


6

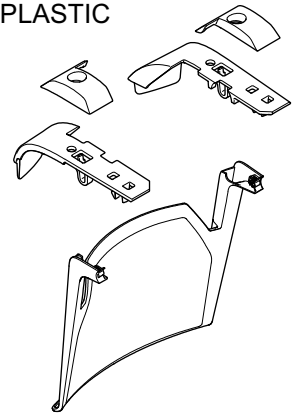


RECYCLE BINS

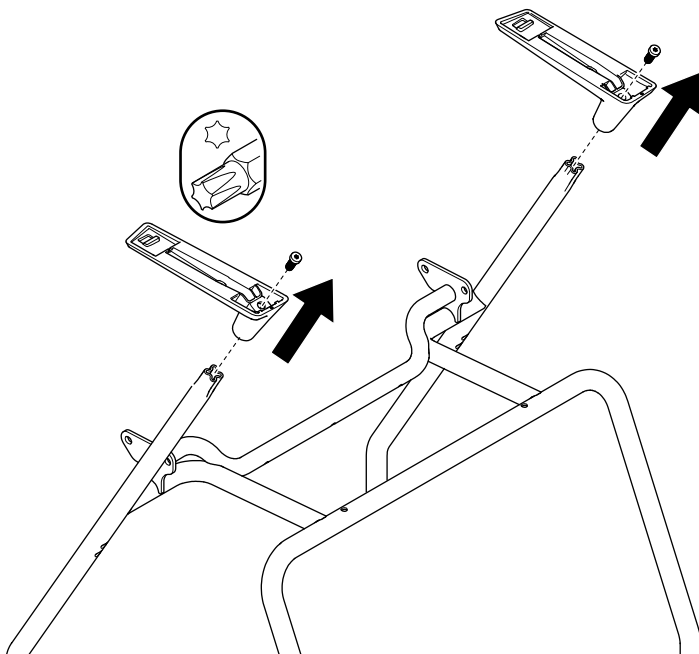
STEEL



PLASTIC

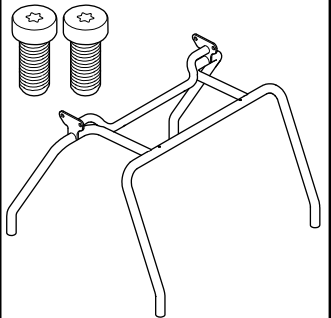


7

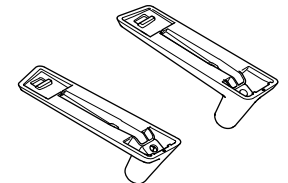


RECYCLE BINS

STEEL



PLASTIC



CUSTOMER SERVICE PHONE: 1-800-426-8562