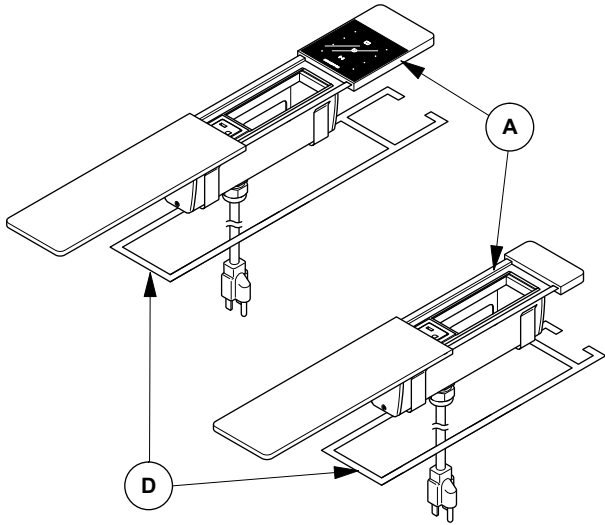
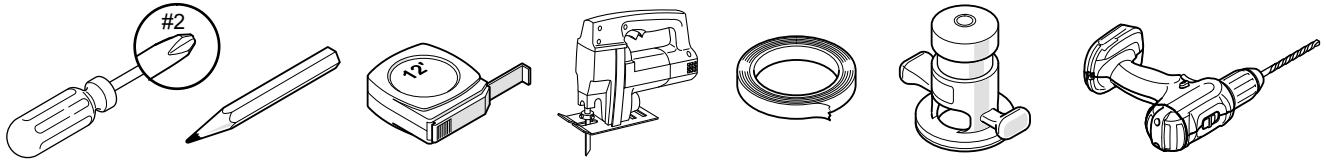


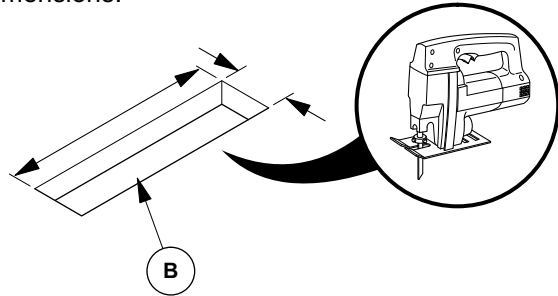
WORKWARE CONNECT®
Interface Module
Installation Instructions

Tools Required

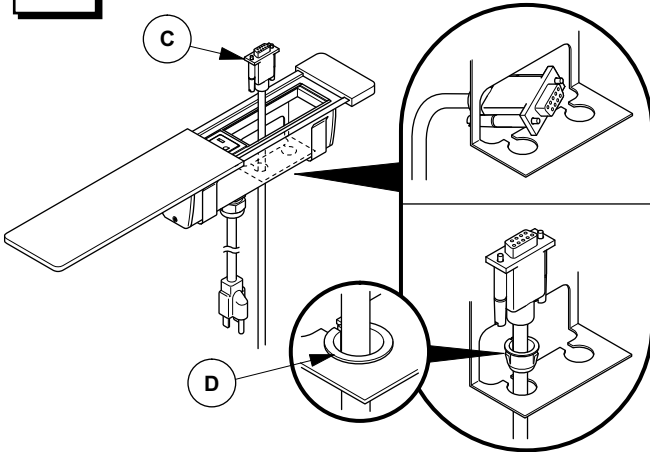


1 Cut hole (B)

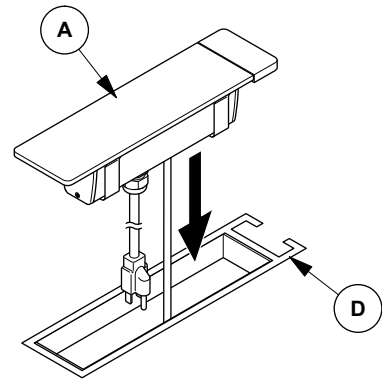
NOTE: Refer to page 2 for hole dimensions.



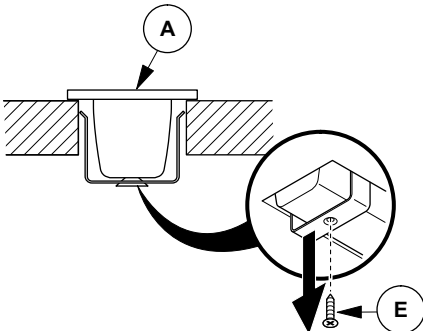
2 Install video cables (C)



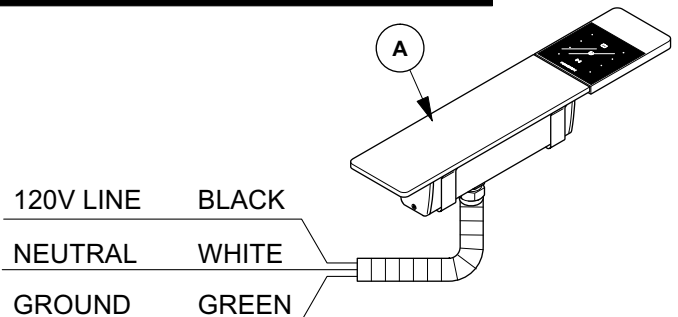
3



4 Remove screw (E) to remove



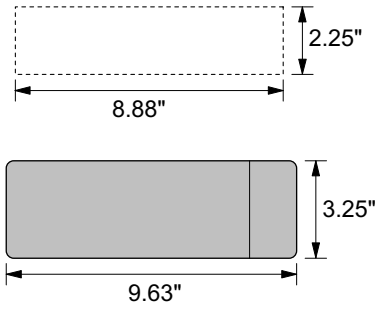
WIRING DIAGRAM - HARDWIRE VERSION



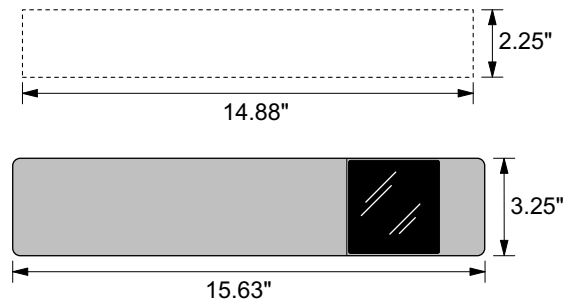
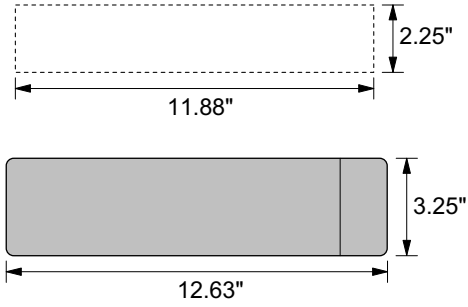
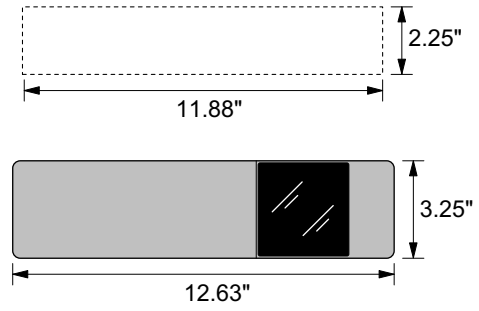
CUSTOMER SERVICE PHONE: 1-855-815-5111

FOR NARROW PORT UNITS

WITHOUT TOUCHPAD

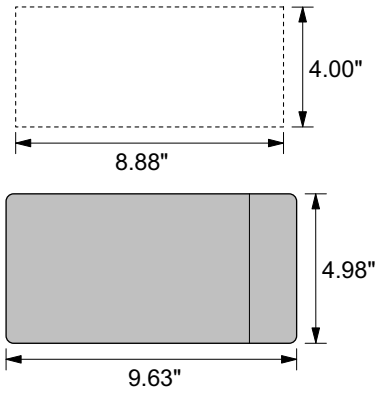


WITH TOUCHPAD

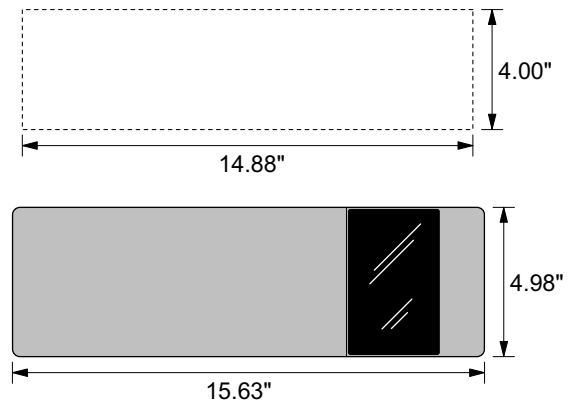
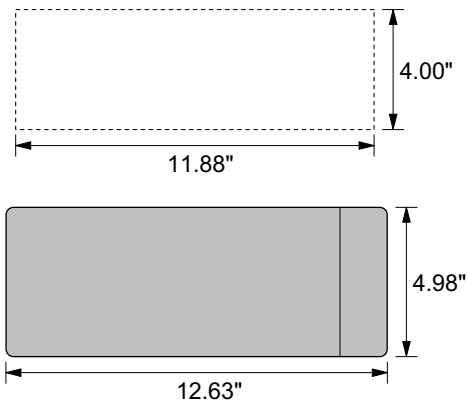
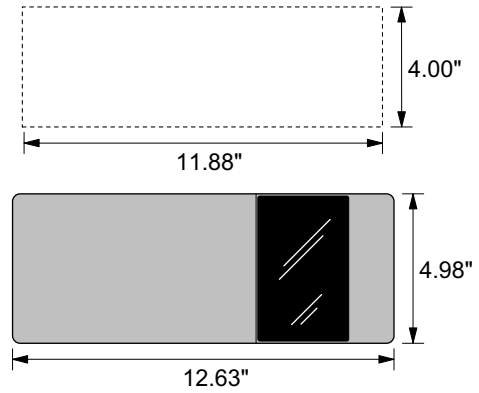


FOR WIDE PORT UNITS

WITHOUT TOUCHPAD



WITH TOUCHPAD



CUSTOMER SERVICE PHONE: 1-855-815-5111